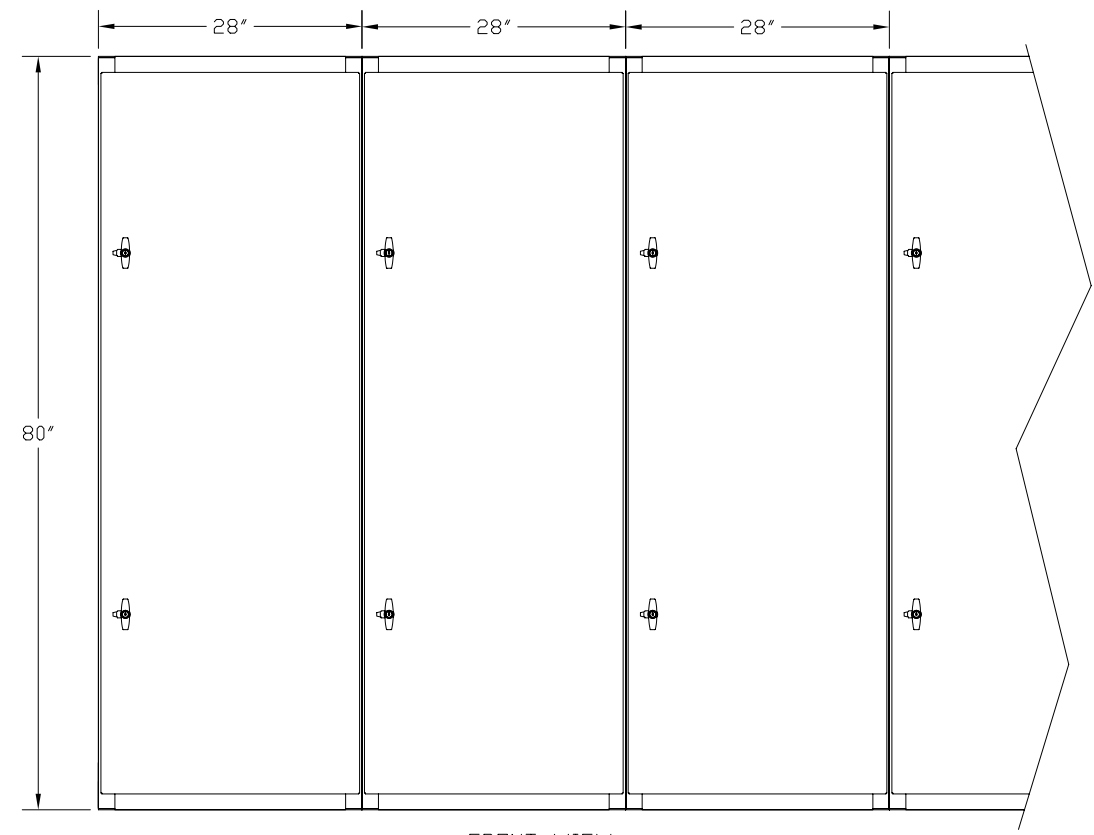
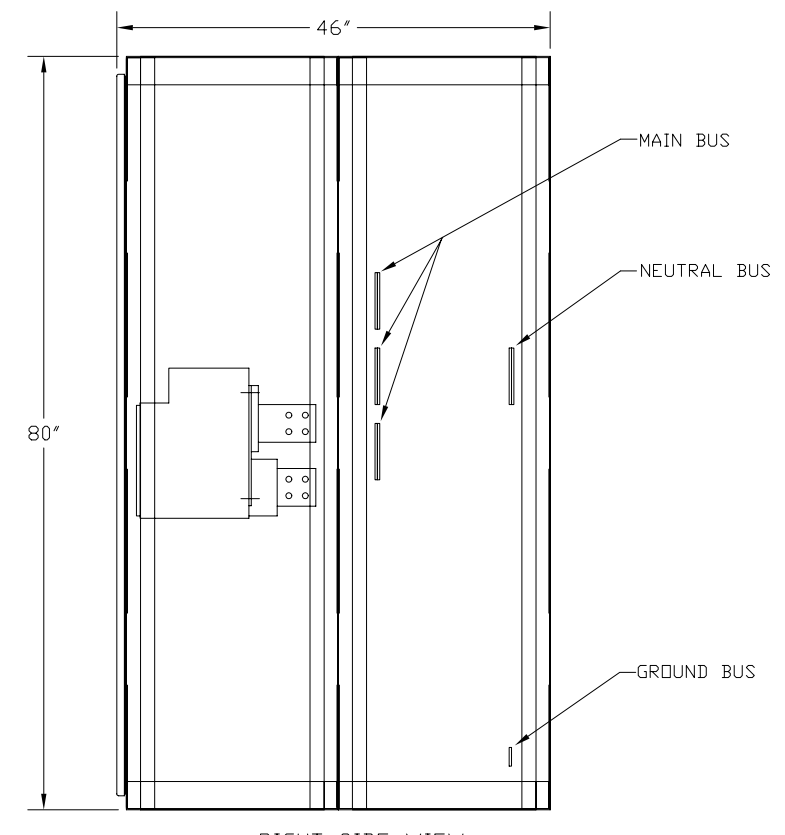


TOP/BOTTOM VIEW



FRONT VIEW



RIGHT SIDE VIEW

SINGLE SECTION, (LESS CIRCUIT BREAKER): 1200LBS
 800-3000A DRAWOUT CIRCUIT BREAKER: 300LBS
 800-3000A FIXED MOUNTED CIRCUIT BREAKER: 200LBS

PROJECT: 22" x 22" DEEP CONTROL CABINET	PAGE DESC: TYPICAL INDOOR LOW VOLTAGE SWITCHGEAR	01	7/6/2010	1	of	1
	STATUS: REFERENCE ONLY	REV	DATE	PAGE #:		
PROJ #: TYPICAL INSTALLATION DRAWING						

APT
 ADVANCED POWER
 TECHNOLOGIES
 www.aptnet.net