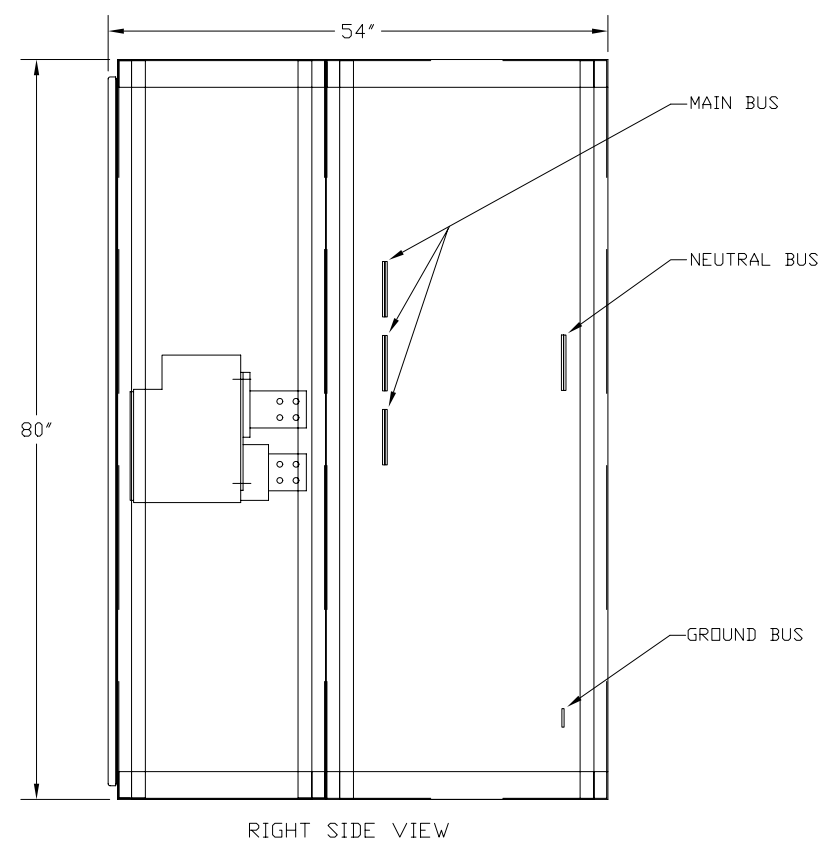
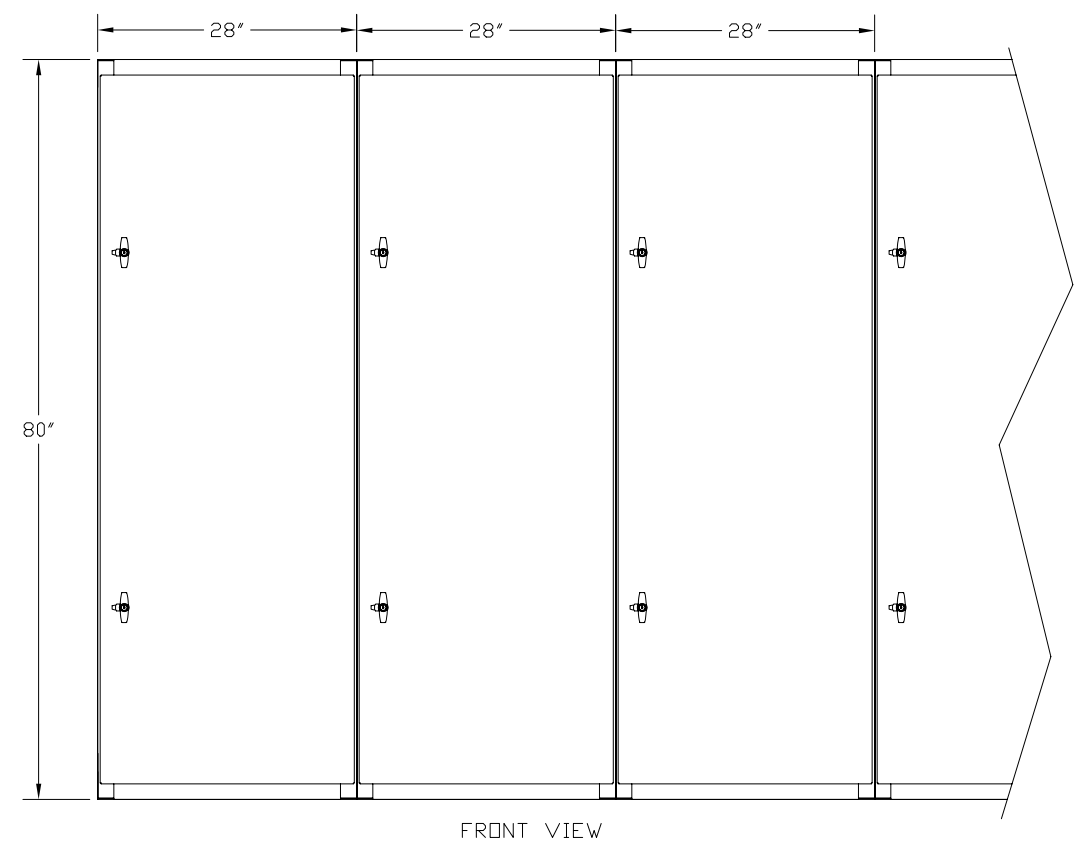


SINGLE SECTION, (LESS CIRCUIT BREAKER): 1250LBS
 800-3000A DRAWOUT CIRCUIT BREAKER: 300LBS
 800-3000A FIXED MOUNTED CIRCUIT BREAKER: 200LBS



 APT ADVANCED POWER TECHNOLOGIES www.aptnet.net	PROJECT: 22" x 30" DEEP CONTROL CABINET	PAGE DESC: TYPICAL INDOOR LOW VOLTAGE SWITCHGEAR	01 7/6/2010 REV DATE	1 of 1
	PROJ #: TYPICAL INSTALLATION DRAWING	STATUS: REFERENCE ONLY	REV DATE	PAGE #: 1 of 1