

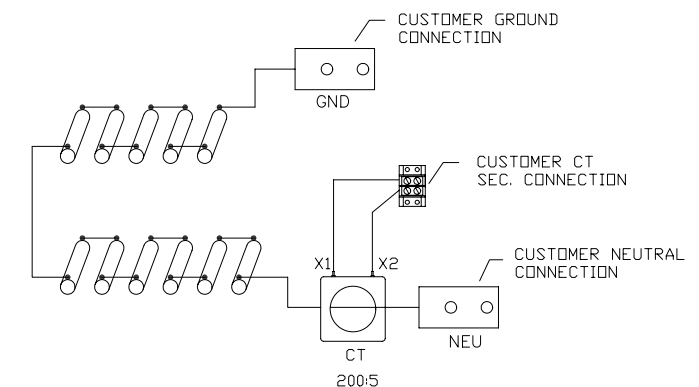
NEUTRAL GROUNDING RESISTOR

SYSTEM VOLTAGE: 4160
 L-N VOLTAGE: 2400
 OHMS @ 25°C: 12 +/-10%
 AMP RATING: 100-600
 MAX. TIME ON: 10 SEC.
 TEMP. RISE: 760°C

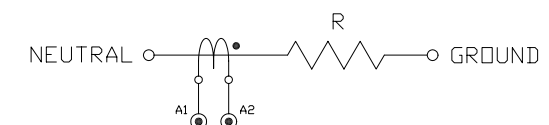
ENCLOSURE DETAIL

MILL GALVANIZED
 LOUVERED COVERS
 (4) 3/8 EYEBOLTS

CONNECTION DIAGRAM



SCHEMATIC



PAGE DESC: NEUTRAL GROUNDING RESISTOR

100A-600A

PROJECT: 5KV NEUTRAL GROUNDING RESISTOR

PROJ #: TYPICAL

01 7/6/2010

REV DATE

STATUS: REFERENCE ONLY

PAGE #: 1 of 1