

Compact Medium Voltage Switchgear

4.16kV - 15kV



Product Features

- Metal Enclosed Compact Drawout Circuit Breaker Based Design
- Drawout Vacuum Circuit Breaker with Test, Disconnected and Connected Positions
- Silver Plated Copper Line and Load Bus Bar Connections
- Voltage Transformers (Fixed or Drawer Mounted)
- Current Transformers are Front Accessible, Mounted on the Primary Insulating Brushings Behind the Metal Automatic Shutters
- Enclosure Includes Hinged Front Door with lockable T-Handles



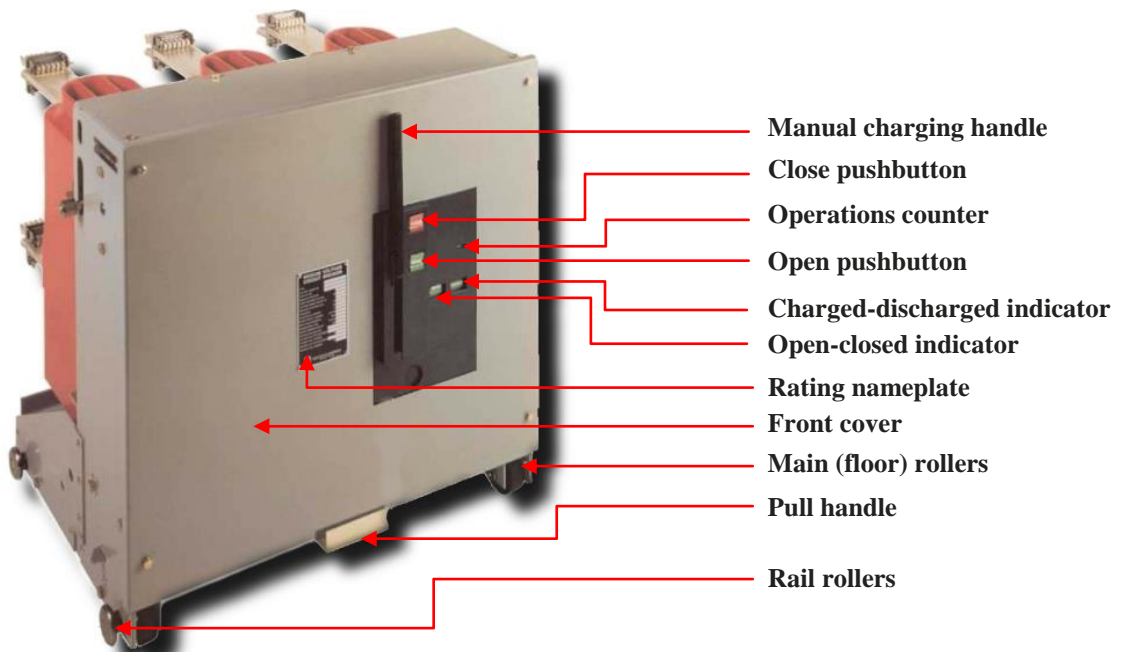
Product Specifications

| | |
|------------------------------|---|
| Voltage: | 4.16kV – 15kV, 3 phase, 3 wire |
| Current: | 1200A or 2000A |
| Enclosure: | NEMA 1 for indoor use NEMA 3R for outdoor use Outdoor Walk-In Insulated Isle |
| Dimensions: | 36"W x 80"H x 72"D (Each Section) |
| Voltage Transformer Options: | <ul style="list-style-type: none">• Fixed Mounted• Drawout Mounted |

Optional Features

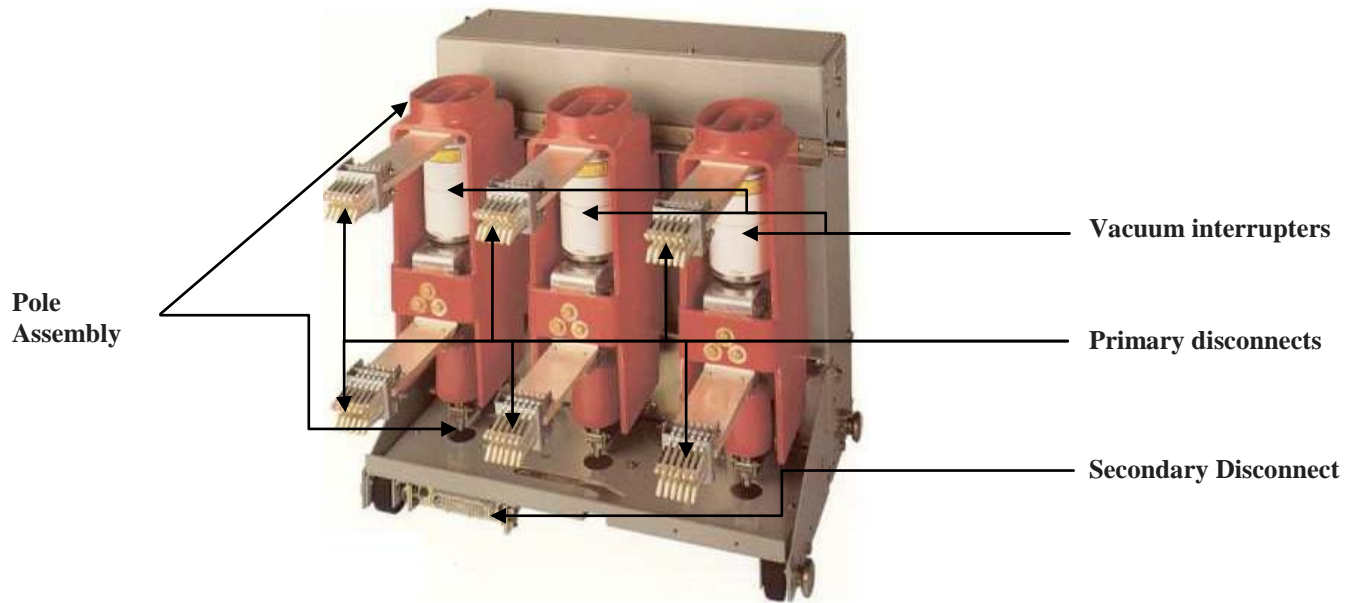
- Main Bus
- Power Metering
- Protective Relaying
- Main-Tie-Main Control
- Generator Paralleling
- Communication

Product Overview



Circuit Breaker Front View

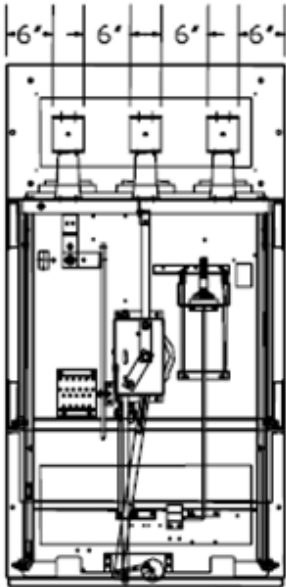
Circuit Breaker Ratings



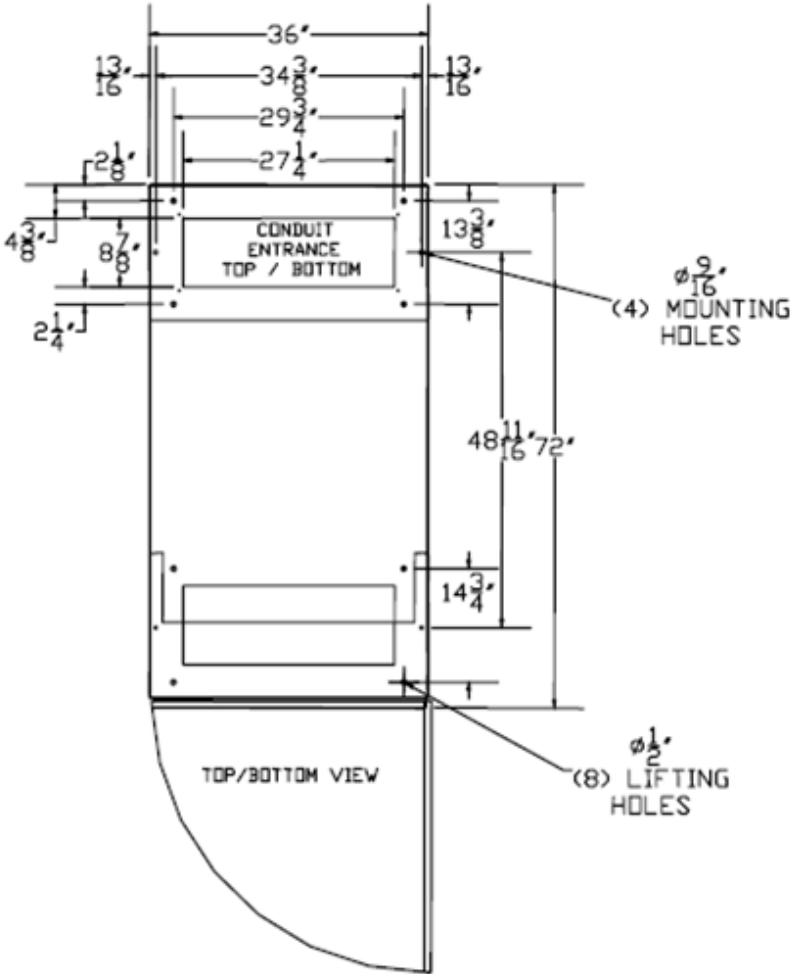
Circuit Breaker Rear View

| Nominal Rating | | Rated Cont. Current 60 Hertz | Rated Voltages | | | Insulation Level Rated Withstand | | Interrupting Ratings Amps.-Symmetrical | | | Asymmetrical Rating Factor | Short-Time 3 Sec. Rating | Close and Latch Rating | Interrupting Time |
|-----------------------|---------|---------------------------------|-----------------|-----------------|-----------------|-------------------------------------|--------------------------|---|------------|------------|-------------------------------|--------------------------------|---------------------------------|----------------------|
| Three Phase MVA | Voltage | | Max. Voltage | Range Factor | Min. Voltage | Low Frequency | Impulse 1.2 x 50µs | Max. kV | Nom. kV | Min. kV | | | | |
| | kV RMS | A RMS | kV RMS | K | kV RMS | kV RMS | kV Crest | kA RMS | kA RMS | kA RMS | kA RMS | kA RMS | kA RMS | Cycles |
| 250 | 4.16 | 1200 | 4.76 | 1.24 | 3.85 | 19 | 60 | 29.0 | 33.2 | 36.0 | 1.2 | 36.0 | 58.0 | 3 |
| 250 | 4.16 | 2000 | 4.76 | 1.24 | 3.85 | 19 | 60 | 29.0 | 33.2 | 36.0 | 1.2 | 36.0 | 58.0 | 3 |
| 350 | 4.16 | 1200 | 4.76 | 1.19 | 4.0 | 19 | 60 | 41.0 | 46.9 | 49.0 | 1.2 | 49.0 | 78.0 | 3 |
| 350 | 4.16 | 2000 | 4.76 | 1.19 | 4.0 | 19 | 60 | 41.0 | 46.9 | 49.0 | 1.2 | 49.0 | 78.0 | 3 |
| 500 | 7.20 | 1200 | 8.25 | 1.25 | 6.6 | 36 | 95 | 33.0 | 37.8 | 41.0 | 1.2 | 41.0 | 66.0 | 3 |
| 500 | 7.20 | 2000 | 8.25 | 1.25 | 6.6 | 36 | 95 | 33.0 | 37.8 | 41.0 | 1.2 | 41.0 | 66.0 | 3 |
| 500 | 13.8 | 1200 | 15.0 | 1.30 | 11.5 | 36 | 95 | 18.0 | 19.5 | 23.0 | 1.2 | 23.0 | 37.0 | 3 |
| 500 | 13.8 | 2000 | 15.0 | 1.30 | 11.5 | 36 | 95 | 18.0 | 19.5 | 23.0 | 1.2 | 23.0 | 37.0 | 3 |
| 750 | 13.8 | 1200 | 15.0 | 1.30 | 11.5 | 36 | 95 | 28.0 | 30.4 | 36.0 | 1.2 | 36.0 | 58.0 | 3 |
| 750 | 13.8 | 2000 | 15.0 | 1.30 | 11.5 | 36 | 95 | 28.0 | 30.4 | 36.0 | 1.2 | 36.0 | 58.0 | 3 |
| 1000 | 13.8 | 1200 | 15.0 | 1.30 | 11.5 | 36 | 95 | 37.0 | 40.2 | 48.0 | 1.2 | 48.0 | 77.0 | 3 |
| 1000 | 13.8 | 2000 | 15.0 | 1.30 | 11.5 | 36 | 95 | 37.0 | 40.2 | 48.0 | 1.2 | 48.0 | 77.0 | 3 |

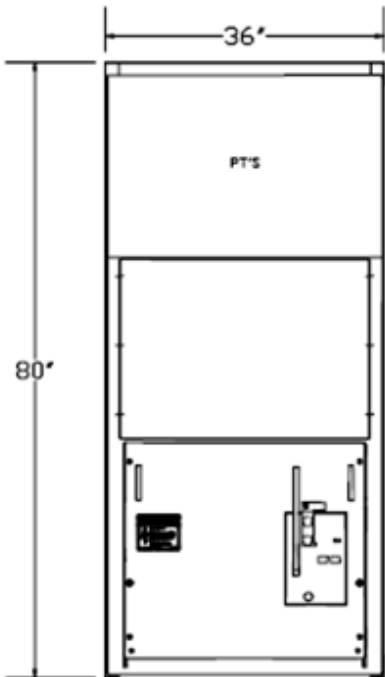
Drawings



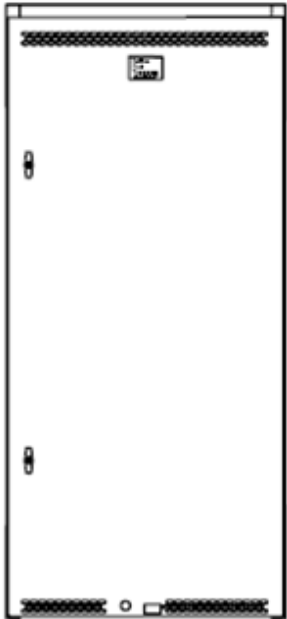
TOP/BOTTOM VIEW



TOP/BOTTOM VIEW



FRONT VIEW
INTERNAL



FRONT VIEW
EXTERNAL