

Generator Quick Connection Switchgear

MVMT Series

2.4kV-15kV

APT
ADVANCED POWER
TECHNOLOGIES



ADVANCED POWER

TECHNOLOGIES



Product Line Brochure

APT
ADVANCED POWER
TECHNOLOGIES

**PROVIDING A COMPREHENSIVE
APPROACH TO RELIABLE POWER**

www.appt-power.com
433 N. 36th Street
Lafayette, IN 47905
765-446-2343

Standard Configuration



Figure 1: Carbon Steel NEMA 1 Enclosure

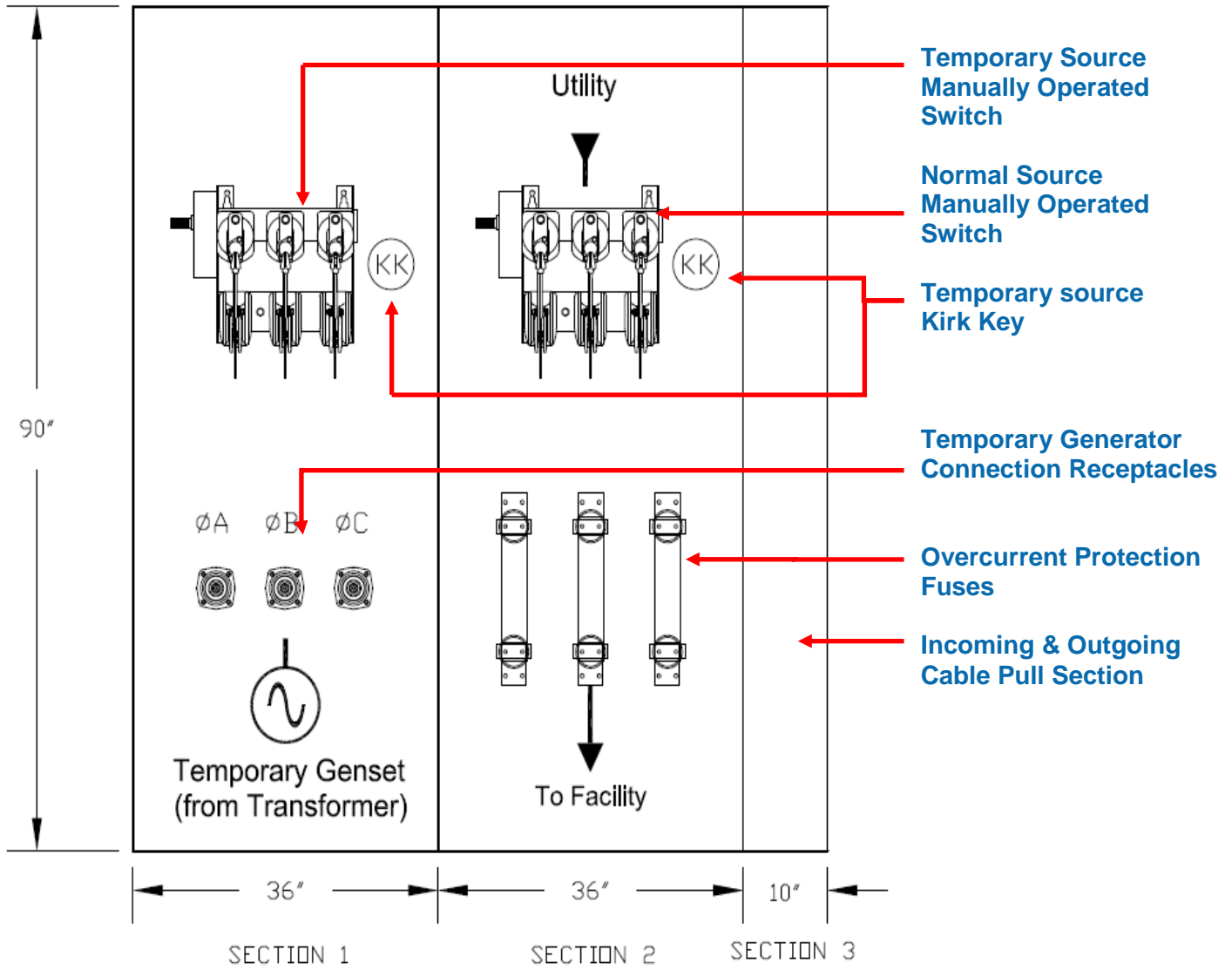


Figure 2: Generator Quick Connection Switchgear MVMTS Series Dual Loadbreak Switch with Overcurrent Protection

200 – 1200A, 2400V-15kV Two Source Quick Connection Switchgear

- ❑ Rating: 200 – 1200A, 2400V-15kV (3Ø)
 - ❑ Temporary Generator Connection Receptacles:
 - 200A Air Insulated loadbreak bushing wells, inserts, and caps.
 - 600A Air Insulated deadbreak bushing wells, and caps.
 - ANSI/IEEE Std 386 connectors compatible
 - ❑ Silver plated copper bus.
 - ❑ Power Source Manual Transfer Switching Device:
 - Two Switches (one normal source switch and one temporary generator source switch) with each Source Connected Indicating Lights.
 - Removable thru door operating handle.
 - ❑ Each load braking switch section is provided with a Lexan viewing window for observing visual air disconnect switch position. Viewing window gives an operator full view of the position of all three switch blades.
 - ❑ Manual Transfer Switch Interlocking
 - Kirk Key Interlocking prevents inadvertent paralleling of two sources.
 - ❑ Available as front access only.
 - ❑ Overcurrent Protection (optional)
 - Fuse Rating: 50 – 1200A.
 - ❑ Enclosure
 - Carbon steel.
 - Powder coated ANSI 61 Gray.
 - NEMA 1 for outdoor installation.
 - NEMA 3R for outdoor installation.
 - Anti-condensation Heater* for Internal Climate Control.
 - All hardware is stainless steel.
 - Door handles are padlockable.
 - Door will include an integral lower flip door.
 - Allows the main door to be closed with the mobile generator cables connected.
 - Typical Dimensions
 - 100"H x 84"W x 40"D
- *Requires 120V site power

Switchgear Layout Drawing



Dimensional Drawings

