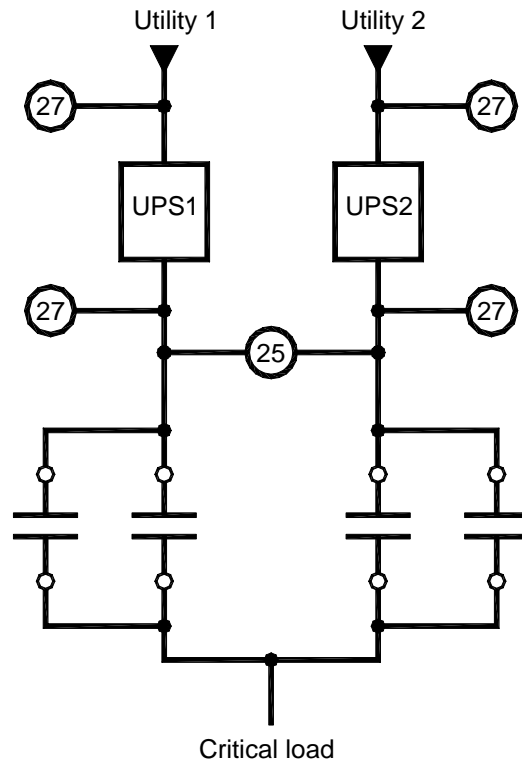


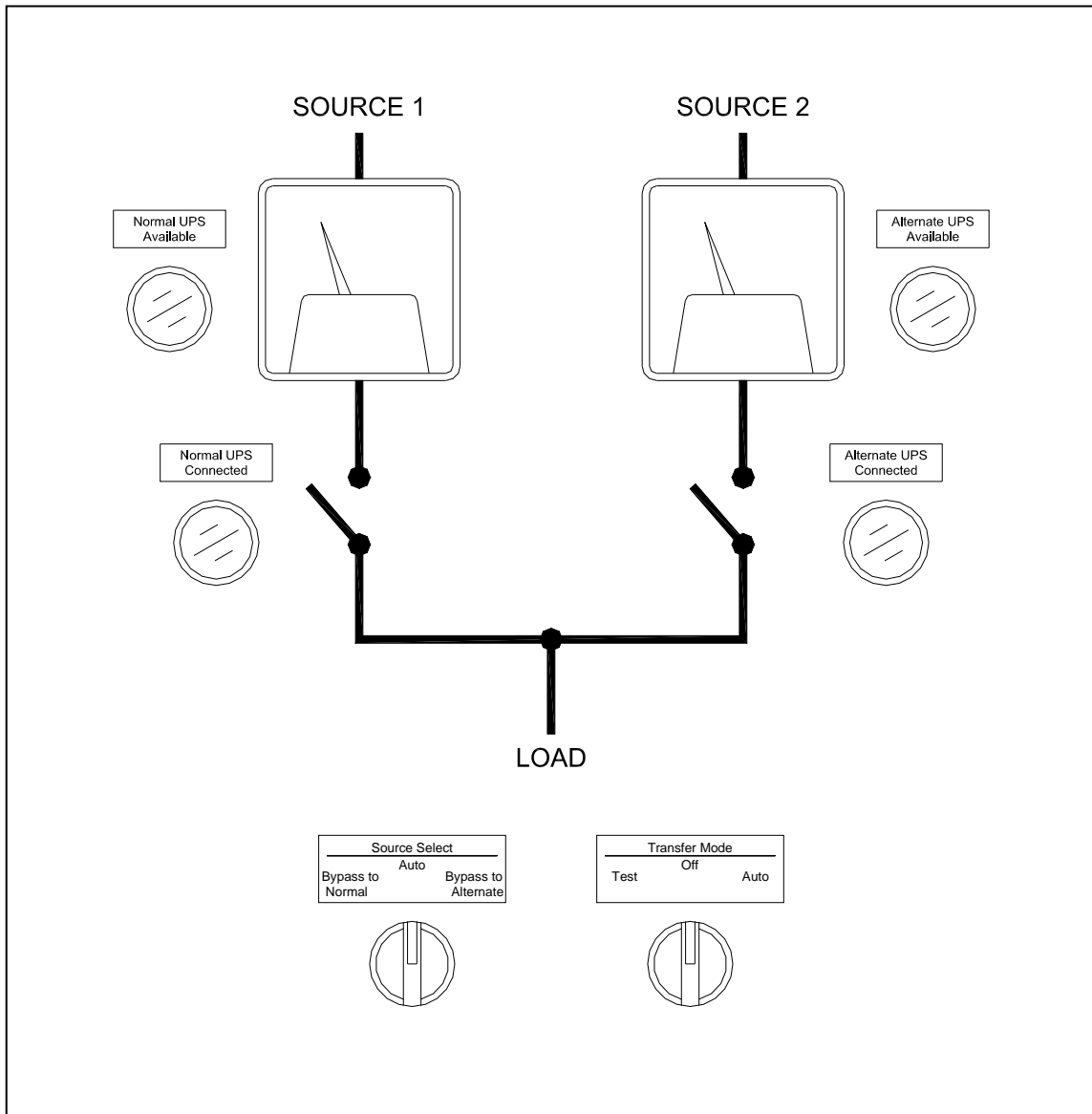
Featured Product:

30-400A Closed-transition Automatic Transfer Switch

Advanced
Power
Technologies, Inc.



- Automatically transfers to the Alternate UPS when Normal UPS loses utility power.
- Transfers loads between two UPS without any power interruption to the load.
- Loads are transferred only when the UPS outputs are in synchronism.
- Redundant contactors for highest reliability.
- Intelligent undervoltage sensing of each UPS input and output voltages.
- Dedicated synchronizing check relay to ensure inphase load transfer.
- Single phase, two phase or three phase.
- Microprocessor based control unit with adjustable time delays via keypad and LCD display.
- Wall mountable construction.
- High visibility LED type status indicators.
- Optional UPS output voltmeters.



Control Panel Layout

Specifications:

| | |
|-----------|--|
| Voltage: | 120V, single phase – 480V, 3 phase, 4 wire |
| Current: | 30 – 400A |
| Enclosure | NEMA 1, NEMA 12 or NEMA 3R |