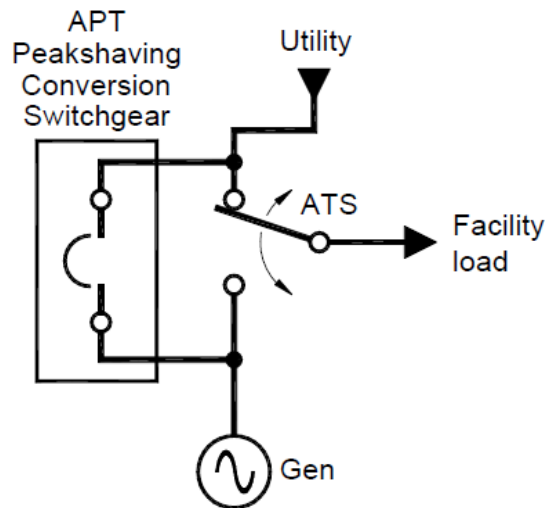


Peak Shaving Conversion Utility Paralleling Switchgear



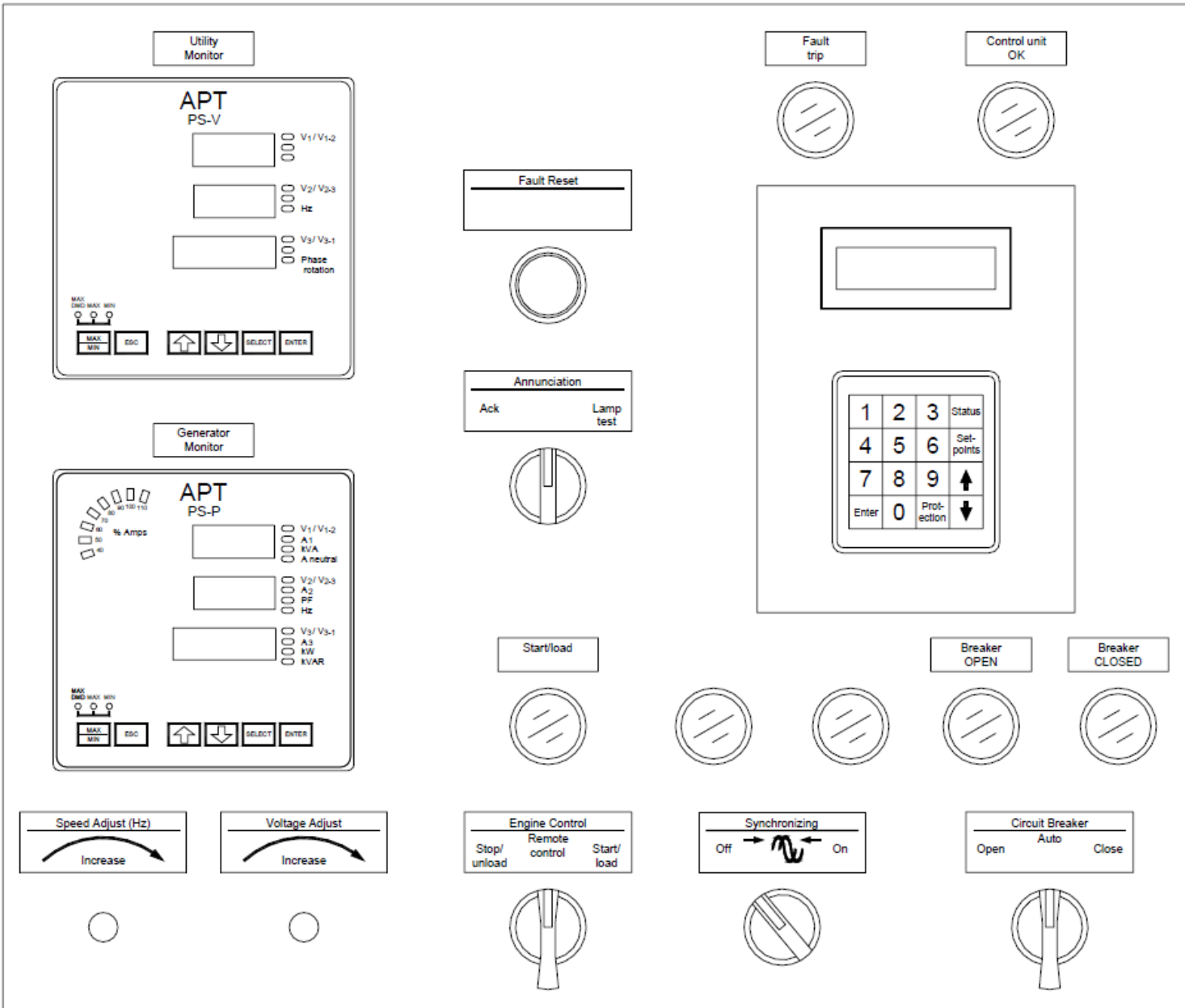
Product Features

- Increases Functionality of Existing Standby Power System by Providing Utility Paralleling Capabilities
 - Generate Revenue by Peak Shaving
 - Load Test Your Generator Set Against the Utility
 - No Changes to Genset Necessary
 - Simple Installation
- Dynamically Switches to Standby Mode should Outage Occur while Peak Shaving
- Completely automatic operation
 - Automatic Paralleling
 - kW Soft Loading Control
 - kVAR Control
 - Voltage Matching
- Extensive Power Metering and Generator Protection
- Utility RTU and DCS Compatible
- Optional SCADA-ready Modbus Communications Port

Product Specifications

Voltage:	208 – 600V, 3 phase, 3 or 4 wire (low voltage) 2400 – 15kV, 3 phase, 3 wire (medium voltage)
Current:	Up to 4000A (low voltage) Up to 3000A (medium voltage)
Enclosure:	NEMA 1 for indoor use NEMA 3R for outdoor use (optional)
Dimensions:	Std. low voltage – 28"W x 80"H x (46" or 54" or 62"D)
Metering Accuracy:	0.3% - voltage and current 0.6% - power and energy
Options:	SCADA-ready Modbus communications port

Product Drawings



Control Panel Layout