

A

B

C

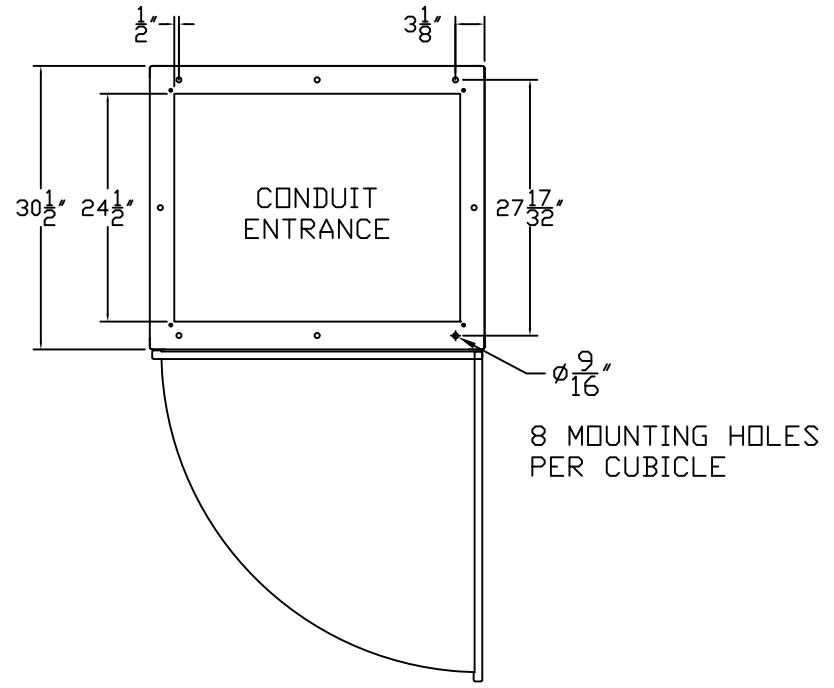
D

1

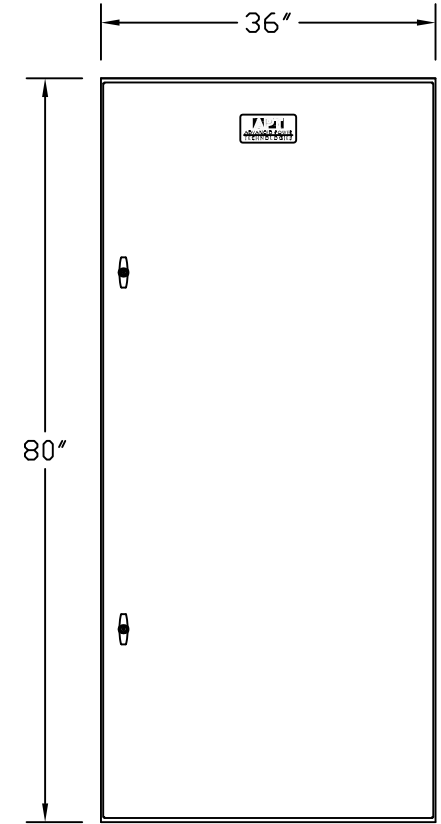
2

3

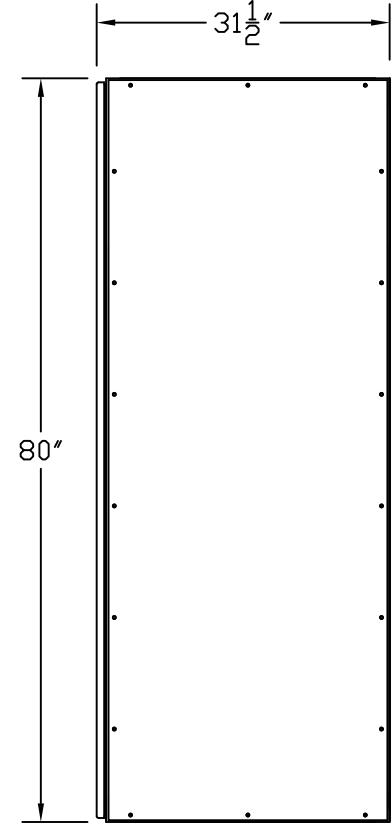
4



TOP/BOTTOM



FRONT



RIGHT SIDE

EXTERNAL VIEW
(1D) - NEMA 1 WITH FRONT DOOR

	PROJECT: APT STANDARD ENCLOSURE SIZE	PAGE DESC: EXTERNAL LAYOUT	REV	DATE	PAGE #:	of
	ONE SECTION, ONE CABINET DEEP		01	07/29/20	1	1
	PRDJ #: TYPICAL INSTALLATION DRAWINGS	STATUS: AS BUILT				