

A

B

C

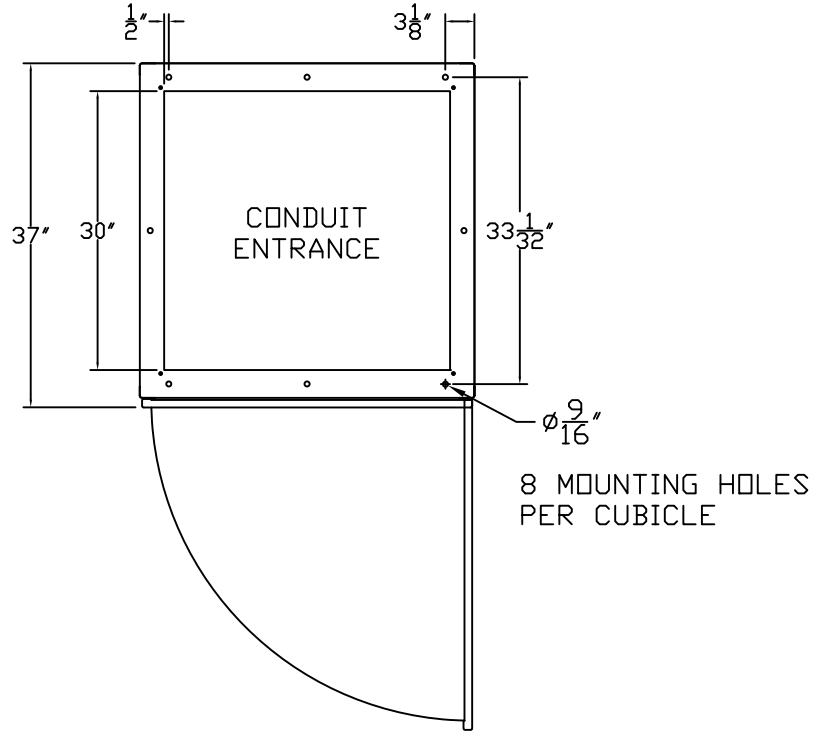
D

1

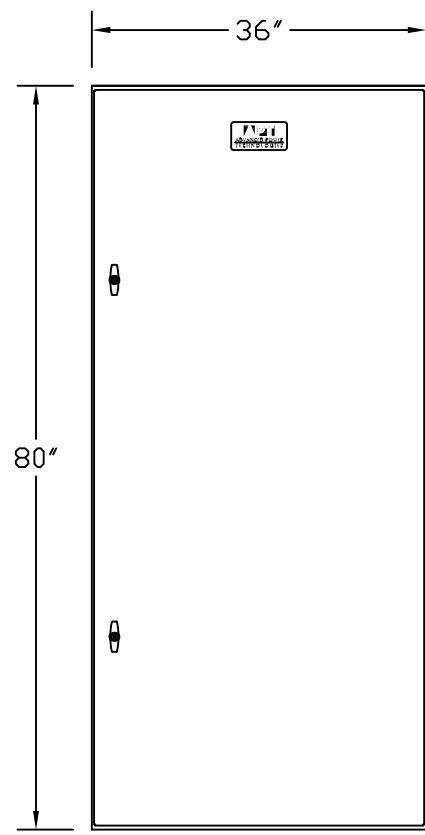
2

3

4



TOP/BOTTOM



FRONT



RIGHT SIDE

EXTERNAL VIEW
(1D) - NEMA 1 WITH FRONT DOOR

	PROJECT: APT STANDARD ENCLOSURE SIZE	PAGE DESC: EXTERNAL LAYOUT	REV	DATE	PAGE #:	1	of	1
	ONE SECTION, ONE CABINET DEEP		01	07/29/20				
	PRDJ #: TYPICAL INSTALLATION DRAWINGS							
STATUS: AS BUILT								