



ADVANCED POWER  
TECHNOLOGIES

# Utility Peak Shaving Control Module



PS  
02 Microgrid, Paralleling, Transfer Control  
Systems  
Solutions Brochure

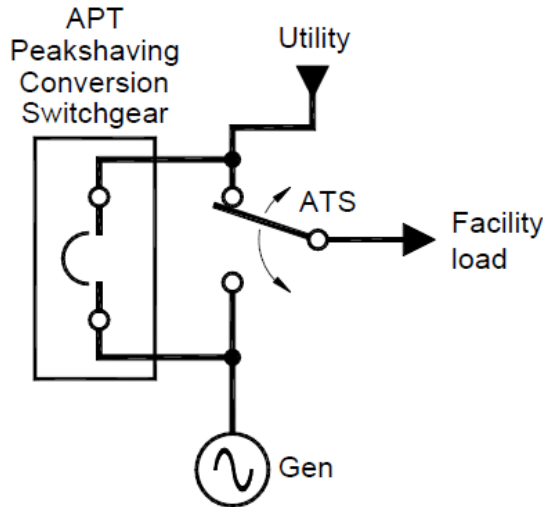
www.appt-power.com  
433 N. 36<sup>th</sup> Street  
Lafayette, IN 47905  
(765) 446-2343

**SAFE SMART SERVICEABLE SWITCHGEAR &  
ENGINEERED POWER SYSTEM SOLUTIONS**



ALN: 566 Rev. 01

# Utility Paralleling Switchgear



## Peak Shaving Conversion Utility Paralleling Switchgear

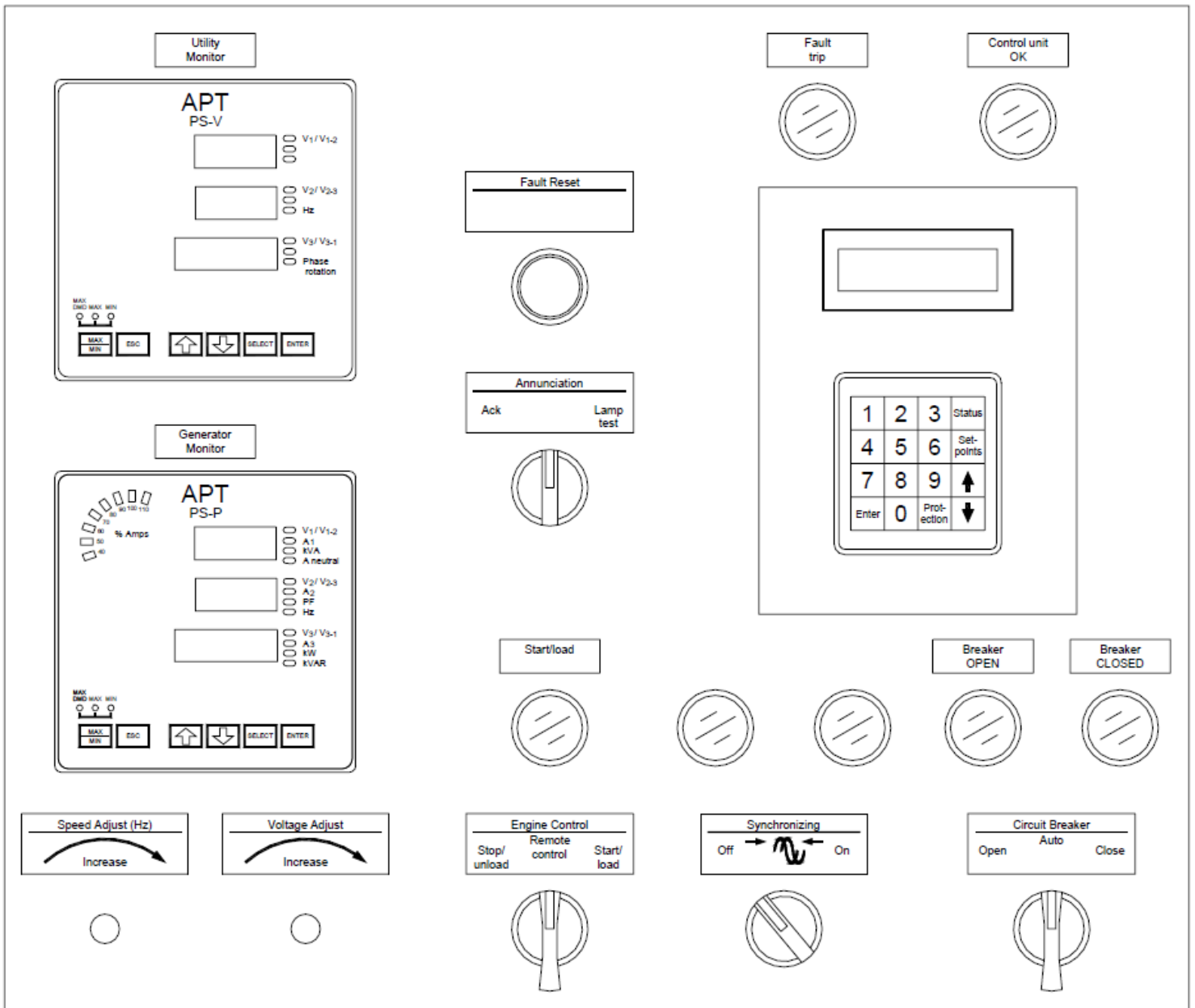
### Product Features

- ⦿ Increases Functionality of Existing Standby Power System by Providing Utility Paralleling Capabilities
  - Generate Revenue by Peak Shaving
  - Load Test Your Generator Set Against the Utility
  - No Changes to Genset Necessary
  - Simple Installation
- ⦿ Dynamically Switches to Standby Mode should Outage occur while Peak Shaving
- ⦿ Completely automatic operation
  - Automatic Paralleling
  - kW Soft Loading Control
  - kVAR Control
  - Voltage Matching
- ⦿ Extensive Power Metering and Generator Protection
- ⦿ Utility RTU and DCS Compatible
- ⦿ Optional SCADA-ready Modbus Communications Port

### Product Specifications

Product Specifications	
Voltage	208 – 600V, 3 phase, 3 or 4 wire (LV) 2.4-15kV, 3 phase, 3 wire (MV)
Current	Up to 4000A UL Listed (LV) Up to 3000A UL Listed (MV)
Enclosure	NEMA 1 for indoor use NEMA 3R for outdoor use (optional)
Dimensions	Standard low voltage – 28" x 80"H x (46" or 54" or 62"D)
Metering Accuracy	0.3% - voltage and current 0.6% - power and energy
Metering	PS-EH – Power Quality Sensing (kWh, kVARh, kVAh, %THD)
Options	SCADA-ready Modbus communications port

# Product Information



Control Panel Layout

# About Advanced Power Technologies



Advanced Power Technologies (APT) is on the cutting edge of the latest engineered power system smart technologies, as it relates to microgrid & storage management, renewable & conventional energy source deployment, demand peak shaving, and facility back-up and co-generation power systems. Located in the central United States and headquartered in Lafayette, Indiana with solutions development engineers around the country, APT provides domestic and international products and services to industry leading companies from around the world. APT engineers have decades of power system experience from working with some of the largest companies in industry. Over the last two decades, we have produced successful solutions for hundreds of large-scale electric power projects involving utility/generator paralleling, transfer, peak shaving, and distribution. We pride ourselves in providing electrical power systems that are engineered and custom built, utilizing state-of-the-art technologies to fit our customer's exact needs. The core of our business is low & medium voltage engineered power systems for a wide range of indoor & outdoor applications, such as:

- ⦿ Utility(ies) and Generator(s) Paralleling/Transfer/Peak Shaving/Distribution Switchgear
- ⦿ Microgrids, Microgrid Master Control Panels, SCADA systems
- ⦿ Containerized Battery Energy Storage Systems (BESS)
- ⦿ Photovoltaic (PV) Solar Power Collection/Distribution & Renewable Energy Storage Systems
- ⦿ Low & High Resistance Grounding Systems, Grounding Systems for Photovoltaic Effective Grounding
- ⦿ High Efficiency Combined Heat and Power Switchgear & Control Systems (CHP, Co-generation)
- ⦿ Outdoor Walk-In Electrical Houses (E-Houses) & Skid-Mounted Switchgear
- ⦿ Motor Control Centers & Motor Control Switchgear
- ⦿ Automatic & Manual Load Transfer Switchgear
- ⦿ Bypass/Isolation & Power Distribution Circuit Breaker Switchboards
- ⦿ Generator/Loadbank Quick Connection Switchgear, Switchboards, & Tap Boxes
- ⦿ Industrial Control Panels

Please see our product webpages on [www.appt-power.com](http://www.appt-power.com) for product brochures and relevant information. Actual products may look different from images shown on the website and in brochures, based on actual specifications.

APT cares and understands that each power system is different. We will evaluate various solutions in order to develop the best solution for a site. APT focuses on our ability to a combine several traditional pieces of equipment/functionality into as little of a footprint possible. This saves on space, the cost of equipment, cost of installation, and accomplishes the most optimal/state-of-the-art design your facilities. APT's desires to foster and grow a culture of continued open communication with each customer. Let APT be your source to provide fully engineered power system equipment solutions for the full customer facility on time, on or under budget, and in the smallest footprint possible. We are always available to assist customers and engineers representing customers in the development of complex power solutions for all facility types.