



ADVANCED POWER
TECHNOLOGIES

Service Entrance Generator Quick Connection Manual Transfer Tap Box



WM2-MT Generator Quick Connection Solutions Brochure

www.apr-power.com
433 N. 36th Street
Lafayette, IN 47905
(765) 446-2343

**SAFE SMART SERVICEABLE SWITCHGEAR &
ENGINEERED POWER SYSTEM SOLUTIONS**



ALN: 523 Rev. 01

Fully Customizable

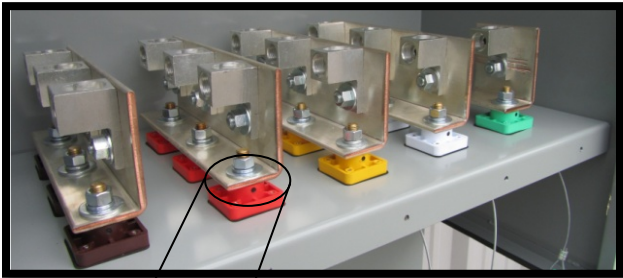


Figure 1: Mechanical lugs on silver plated copper bus bars (Top) with Cam-lok Cover (Left) and Male Cam-lok Receptacle (Right)



Circuit Breaker

Cam-lok Style Receptacles

Lower Flip Door (Kirk Key Interlocked with Circuit Breaker)

Figure 2: 800A Service Entrance Manual Transfer Tap Box

400A-2500A SE Generator Quick Connection Tap Box

- UL Listed, Service Entrance Equipment (SE)
- Saves floor space & installation cost by replacing the need for an external manual or automatic transfer switch
- System Ratings:
 - Voltage: 208V-480V (3Ø, 4W)
 - Current: 400A-2500A
 - Interrupting Rating: 10-65 kAIC
- Temporary Generator & Utility Protection
 - Molded Case Circuit Breakers
 - Fixed mount
 - Electronic trip unit with adjustable Long Time, Short Time, Instantaneous settings
 - 100% rated
 - Breaker Position Aux Contacts (“a” & “b”)
- Silver-plated copper phase bus bar for permanent connection to the facility
- APT Mechanical Lugs for incoming utility & permanent facility-side connections on NEMA standard hole pattern
- Easy and spacious access to color coded, generator (male) & loadbank (female) E1016 cam-lok type receptacles with covers
 - A phase – Brown (480V) / Black (208V)
 - B phase – Orange (480V) / Red (208V)
 - C phase – Yellow (480V) / Blue (208V)
 - Neutral – White
 - Ground – Green
- Standard Enclosure:
 - Pad-lockable hinged main access door
 - Integral lower flip door (allows the main door to be closed with the mobile generator cables connected)
 - Bottom door mechanically interlocked with front door to prevent unauthorized access to receptacles when not in use
 - Powder coated ANSI 61 Gray
 - NEMA 1/3R for indoor applications
 - Utility & Permanent Connections: (Side/Rear, Exit)
 - Temporary Connections: (Bottom Flip Door Entry)

Tap Box Features & Options



Figure 3: 600A Quick Connection with Auxiliary Circuit Breaker



Figure 4: 800A GQC Tap Box Wall-Mount to Pad-Mount Conversion Kit

SE Interlocking, Monitoring, and Options

- ❑ Termination Cabinet (Lug Inputs/Outputs Only)
- ❑ Service Entrance Ground Fault Monitoring:
 - Trips the circuit breaker on ground fault
- ❑ Interlocking:
 - NEC 700.3 compliant key interlocking to prevent inadvertent paralleling of the temporary generator source with normal source(s)
- ❑ Phase Rotation Monitoring:
 - Provides visual assurance that mobile generator set phase rotation matches that of the facility
 - Configured to prevent circuit breaker from being closed if phase rotation is incorrect
 - Instructions to easily fix incorrect phase rotation are on a label inside each panel
- ❑ Circuit Breaker/Trip Unit Options:
 - Thermal Magnetic
 - Electronic trip with adjustable long time, short time, instantaneous, and ground fault trip settings
 - Standard or 100% rated
- ❑ Shunt Trip:
 - 120VAC for tripping circuit breaker if phase rotation is incorrect or on ground fault sensing
- ❑ Available Load Transfer means:
 - Open Transition Manual Transfer
- ❑ NEC 700.3 compliant temporary generator source connected indication
- ❑ Enclosure options:
 - NEMA 1 for indoor installation
 - NEMA 3R for outdoor installation:
 - Type 304 or 316 Stainless Steel
- ❑ Other Options
 - No Neutral Bus or Cam-locks
 - 100% Ground
 - Surge Protection Device (SPD)
 - Generator Remote Start/Stop Terminal Blocks
 - Generator Block Heater Receptacle
 - 480VAC or 240VAC Twist-lock Receptacle
 - 120VAC Battery Charger/Convenience Receptacle
 - Load Dump Receptacle/Terminal
 - Extra Large Enclosure for Conduit Entry/Exit
 - Custom Color
 - Convenience Light
 - SCADA Connection Interface

SE Key Interlocking & Pad Mounting



Figure 5: 800A Interlocked Utility Service Disconnect

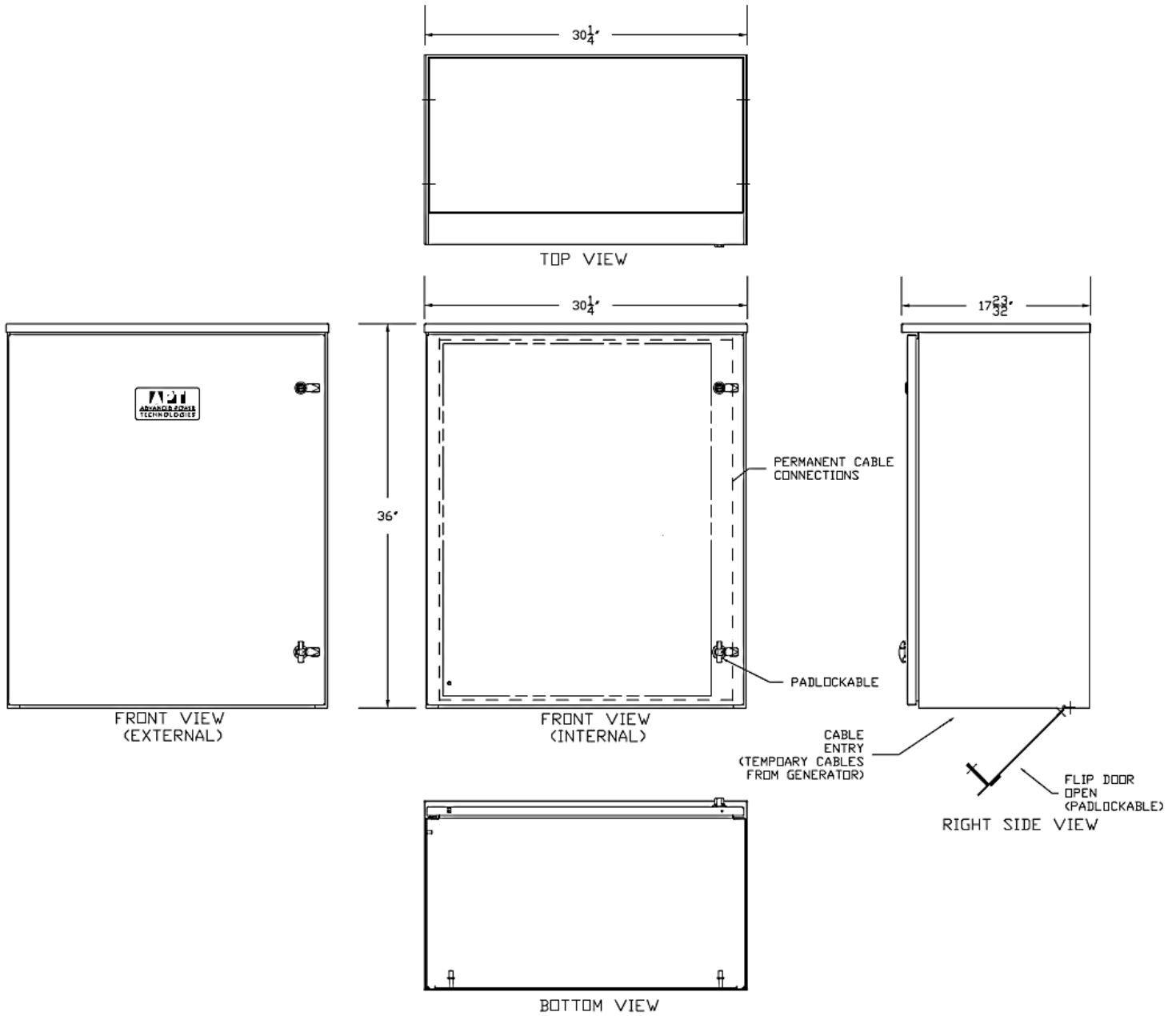


Figure 6: 800A Temporary Generator Connection Receptacles Accessed via Key

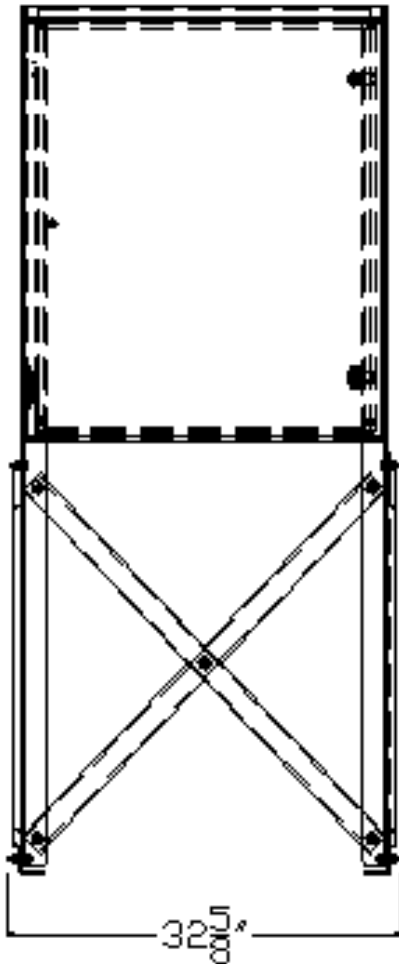
Utility, Mobile Generator Applications

- Per NEC 700.3, temporary generator connection applications require either mechanical or electrical interlocking of the power sources to safely prevent the inadvertent paralleling of the normal & emergency power sources:
 - Service Entrance Rated Manual Transfer Switchboard (two integrated keys)
 - Utility service entrance circuit breaker with mechanical key interlock
 - Temporary generator connections access door with mechanical key interlock
 - Temporary Generator Connection Only
 - External service main no temporary generator circuit breaker protection
 - One integrated mechanical key interlock, one ship loose with mechanical key interlock for installation on facility service main
- Hurricane Resistant Wall-Mount to Pad-Mount Conversion Kit
 - 3/16" Formed Steel Construction
 - Bolt together design for easy factory or field assembly
 - Designed to withstand Category 5 Hurricane force winds (Up to 190MPH)
 - Galvanized or Powder Coated Finish

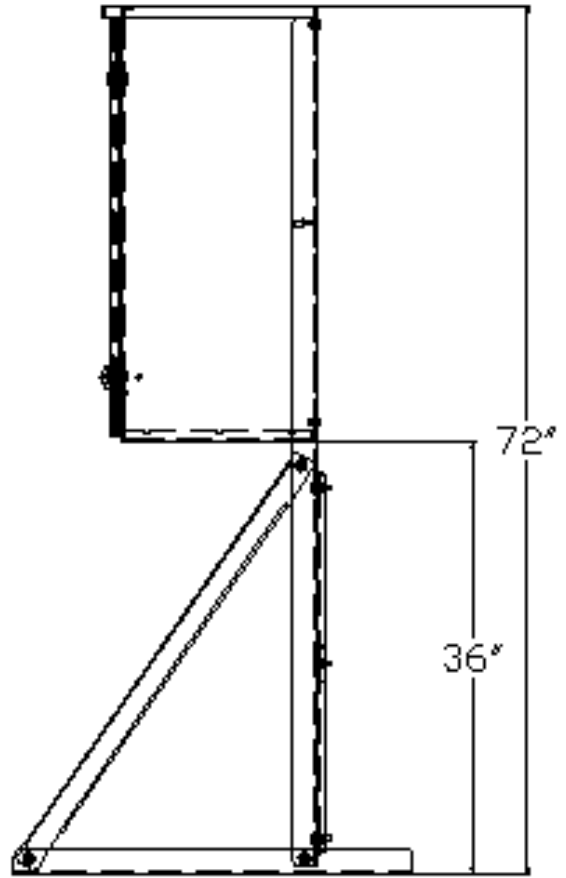
SE GQC Tap Box Wall Mounted



SE GQC Tap Box Pad-Mount Kit



FRONT



RIGHT SIDE

APT Product Part Number Builder

Table 1: Standard Product Configuration Budgeting Prices					
Base Part Number	Approx. Generator Rating @ 480V (kW@0.8pf, kVA)	Current Rating	Maximum # of Cables Per Phase and Neutral		Base Budget Price (No Circuit Breaker) (USD \$)
			Cam-locks/Phase (Temporary Generator Side)	Maximum # Cables/Phase (Permanent Facility-Side)	
APN1583	250kW, 333kVA	400A	1	2	\$ 4,778.00
APN1584	500kW, 667kVA	800A	2	4	\$ 5,594.00
APN1585	750kW, 1000kVA	1200A	3	6	\$ 6,715.00
APN1586	1000kW, 1333kVA	1600A	4	8	\$ 7,531.00
APN1632	1250kW, 1667kVA	2000A	5	10	\$ 8,408.00
APN1633	1500kW, 2000kVA	2400A	6	12	\$ 9,528.00
APN1682	1750kW, 2333kVA	2800A	7	14	\$ 10,345.00
APN1683	2000kW, 2667kVA	3200A	8	16	\$ 11,465.00
APN1780	2500kW, 3000kVA	4000A	10	20	\$ 12,441.00

Base Size

BPN	A	EM	ET	MT	CB	KK	MO	OO
Example: APN1683	G	CS	3R	0	0	0	1	3-5-6-1a
Your P/N:								

Option Number

Base Part Number
(APN1583) - 400A
(APN1584) - 800A
(APN1585) - 1200A
(APN1586) - 1600A
(APN1632) - 2000A
(APN1633) - 2400A
(APN1682) - 2800A
(APN1683) - 3200A
(APN1780) - 4000A

Application
(G) - Generator Only
(L) - Loadbank Only
(GL) - Generator & Loadbank
(SE) - Service Entrance
(TL) - Termination Lugs Only

Enclosure Metal
(CS) - Carbon Steel
(SS4) - 304 Stainless Steel
(SS6) - 316 Stainless Steel

Enclosure Type
(3R) - NEMA 3R
(4X) - NEMA 4X

Mounting
(0) - Wall Mount
(1) - Pad Mount

of Circuit Breakers*
(1) - One CB
(2) - Two CBs
(0) - None

Kirk Key Interlocking
(1) - One Integrated Lock, One Ship Loose Lock
(2) - Two Integrated Locks (Manual Transfer)
(0) - None

Monitoring
(1) - Phase Rotation Only
(2) - Ground Fault Only
(3) - Phase Rotation & Ground Fault

Other Options*
(1) - No Neutral Bus or Cam-locks
(2) - 100% Ground
(3) - Surge Protection Device (SPD)
(4) - Generator Remote Start/Stop Terminal Blocks
(5) - Generator Block Heater Receptacle
(6) - 480VAC or 240VAC Twist-lock Receptacle
(7) - 120VAC Battery Charger/Convenience Receptacle
(8) - Load Dump Receptacle/Terminal
(9) - Extra Large Enclosure for Conduit Entry/Exit
(1a) - Custom Color
(2a) - Convenience Light
(3a) - SCADA Connection Interface
(0) - None

*Customer to provide description of the features desired

www.apr-power.com
433 N. 36th St., Lafayette, Indiana 47905
Tel. (765) 446-2343

- 7 -

ALN: 523 Rev. 01

Generator Only Configurations

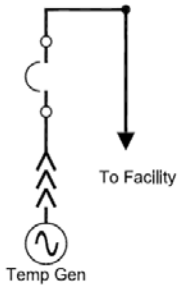


Figure 8: Single Circuit Breaker Option

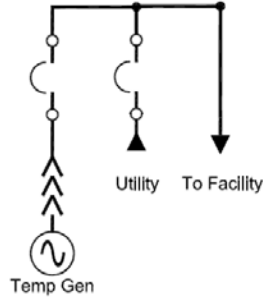


Figure 9: Dual Circuit Breaker Option with Utility & Gen Breaker

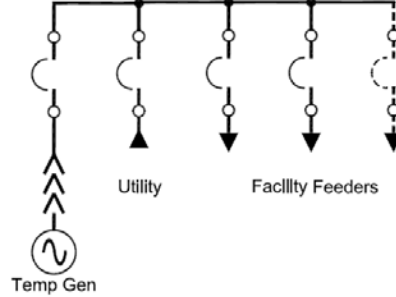


Figure 10: Multiple Circuit Breakers Option

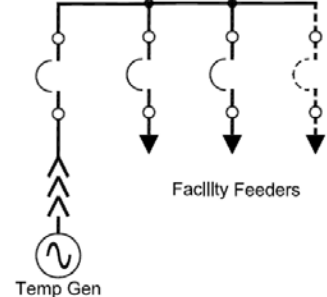


Figure 11: Feeder Circuit Breakers Option

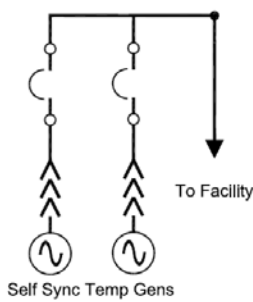


Figure 12: Two Self Sync Temp Gensets into two sets of Cam-locks

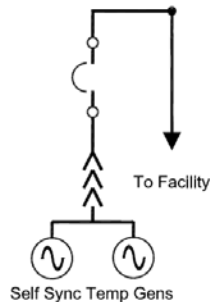


Figure 13: Two Self Sync Temp Gensets into one set of Cam-locks

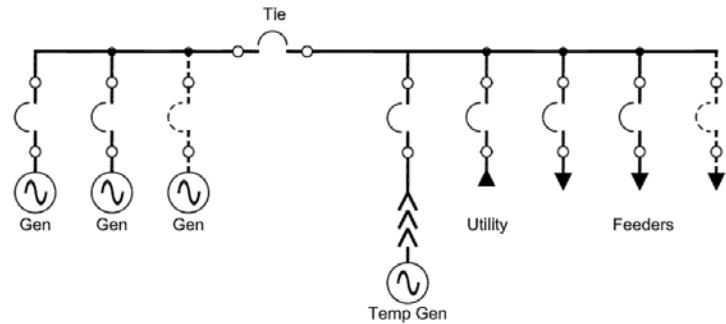


Figure 14: GQC integrated into Low Voltage Switchgear

Loadbank Only Configurations

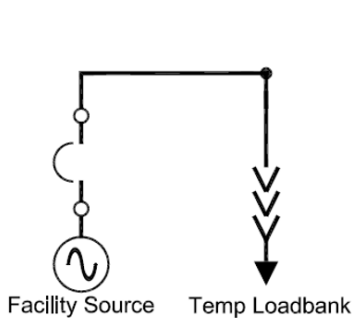


Figure 15: LQC Single Circuit Breaker Option

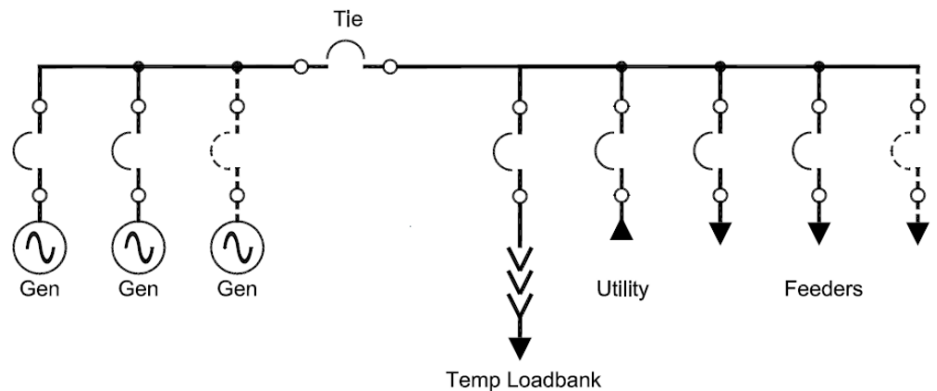


Figure 16: LQC integrated into Low Voltage Switchgear for annual Genset Testing

About Advanced Power Technologies



Advanced Power Technologies (APT) is on the cutting edge of the latest engineered power system smart technologies, as it relates to microgrid & storage management, renewable & conventional energy source deployment, demand peak shaving, and facility back-up and co-generation power systems. Located in the central United States and headquartered in Lafayette, Indiana with solutions development engineers around the country, APT provides domestic and international products and services to industry leading companies from around the world. APT engineers have decades of power system experience from working with some of the largest companies in industry. Over the last two decades, we have produced successful solutions for hundreds of large-scale electric power projects involving utility/generator paralleling, transfer, peak shaving, and distribution. We pride ourselves in providing electrical power systems that are engineered and custom built, utilizing state-of-the-art technologies to fit our customer's exact needs. The core of our business is low & medium voltage engineered power systems for a wide range of indoor & outdoor applications, such as:

- ⦿ Utility(ies) and Generator(s) Paralleling/Transfer/Peak Shaving/Distribution Switchgear
- ⦿ Microgrids, Microgrid Master Control Panels, SCADA systems
- ⦿ Containerized Battery Energy Storage Systems (BESS)
- ⦿ Photovoltaic (PV) Solar Power Collection/Distribution & Renewable Energy Storage Systems
- ⦿ Low & High Resistance Grounding Systems, Grounding Systems for Photovoltaic Effective Grounding
- ⦿ High Efficiency Combined Heat and Power Switchgear & Control Systems (CHP, Co-generation)
- ⦿ Outdoor Walk-In Electrical Houses (E-Houses) & Skid-Mounted Switchgear
- ⦿ Motor Control Centers & Motor Control Switchgear
- ⦿ Automatic & Manual Load Transfer Switchgear
- ⦿ Bypass/Isolation & Power Distribution Circuit Breaker Switchboards
- ⦿ Generator/Loadbank Quick Connection Switchgear, Switchboards, & Tap Boxes
- ⦿ Industrial Control Panels

Please see our product webpages on www.appt-power.com for product brochures and relevant information. Actual products may look different from images shown on the website and in brochures, based on actual specifications.

APT cares and understands that each power system is different. We will evaluate various solutions in order to develop the best solution for a site. APT focuses on our ability to a combine several traditional pieces of equipment/functionality into as little of a footprint possible. This saves on space, the cost of equipment, cost of installation, and accomplishes the most optimal/state-of-the-art design your facilities. APT's desires to foster and grow a culture of continued open communication with each customer. Let APT be your source to provide fully engineered power system equipment solutions for the full customer facility on time, on or under budget, and in the smallest footprint possible. We are always available to assist customers and engineers representing customers in the development of complex power solutions for all facility types.