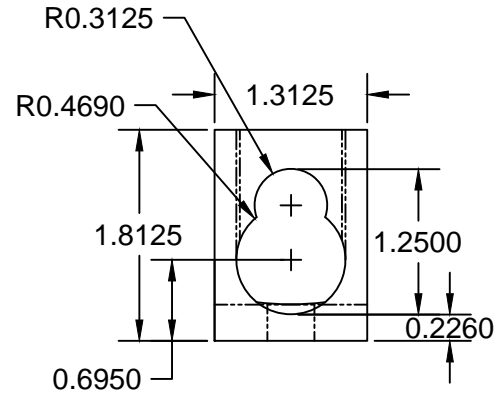
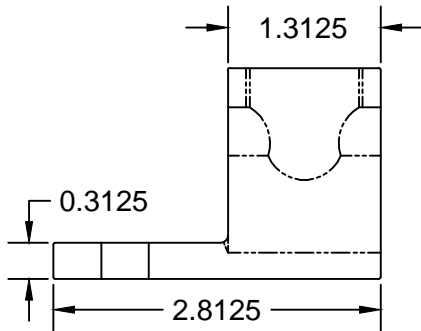


NOTE: One (1) Mechanical Lug accommodates:  
 One (1) #1/0 AWG - 750kcmil AL/CU cable or  
 Two (2) #1/0 AWG - 300kcmil AL/CU cables



PROJECT: MECHANICAL LUG FOR GOC TAP BOXES	PAGE#:	01	12/06/13	1	1
	STATUS:	REV	DATE	1	1
PROJ.#:	SUBMITTAL				A
					D