



ADVANCED POWER
TECHNOLOGIES

Neutral Grounding Transformer & Resistor



HZR-Series High Resistance Grounding System Solutions Brochure

www.appt-power.com
433 N. 36th Street
Lafayette, IN 47905
(765) 446-2343

**SAFE SMART SIMPLE SWITCHGEAR &
ENGINEERED POWER SYSTEM SOLUTIONS**



ALN: 534 Rev. 01

Design Criteria & Construction



Figure 1: High Resistance Grounding System NEMA 1 External/Internal

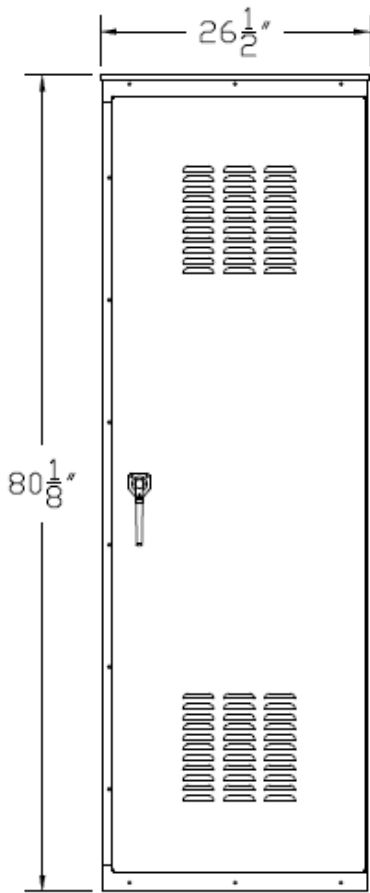
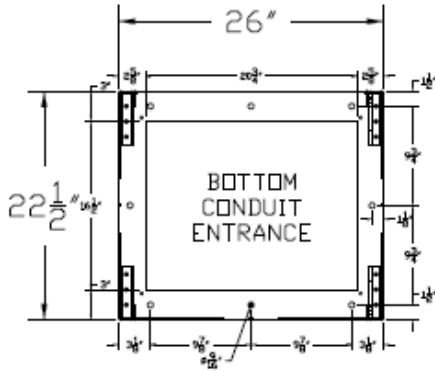


Figure 2: High Resistance Grounding System NEMA 3R Internal/External

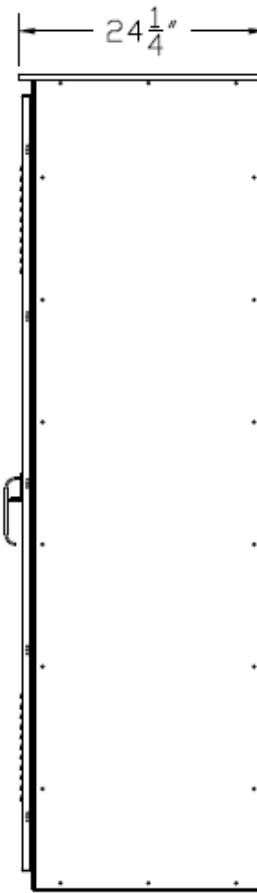
2.4kV-15kV Neutral Grounding Transformer & Resistor

- ⊙ System Ratings:
 - Voltage: 2.4kV-15kV (3Ø)
- ⊙ Designed & factory tested to IEEE Standard 32-1972
- ⊙ Transformer:
 - Over-fluxed to minimize the effect of magnetizing inrush when the ground fault occurs
 - Sized to minimize contribution to the creation of ferroresonant circuit in the power system
- ⊙ Transformer-Resistance Combination:
 - Matched duty rating
 - Sized to introduce the amount of zero sequence resistive fault current which exceeds the amount of capacitive ground fault current
- ⊙ Design Considerations:
 - Continuous duty
 - Total system capacitance
 - High re-striking voltages
 - Capacity provided for system expansion
- ⊙ Internal Climate Control to include (2) Space Heaters with a Thermostat
 - Requires customer supplied 120VAC, 10A circuit
- ⊙ Neutral Sensing & Monitoring for field interconnection to the ground fault alarm relay with secondary leads wired to terminal blocks:
 - Window Type Current Transformer
 - Unfused or Fused Voltage Transformer
- ⊙ Standard Enclosure:
 - Filtered ventilation louvers
 - Stainless steel hardware
 - Pad-lockable hinged main access door
 - Pad-lockable integral lower flip door (allows the main door to be closed with the mobile generator/loadbank cables connected)
 - Powder coated ANSI 61 Gray
 - NEMA 1/3R for indoor/outdoor applications
 - Bottom Entry/Exit
- ⊙ Enclosure Options:
 - UL508A
 - Aluminum, Stainless Steel (304 or 316)
 - Powder coated ANSI 61 Gray or custom colors
- ⊙ APT design calculations available upon request
- ⊙ Approximate Weight: 1500 lbs.

5kV Dimensional Drawing



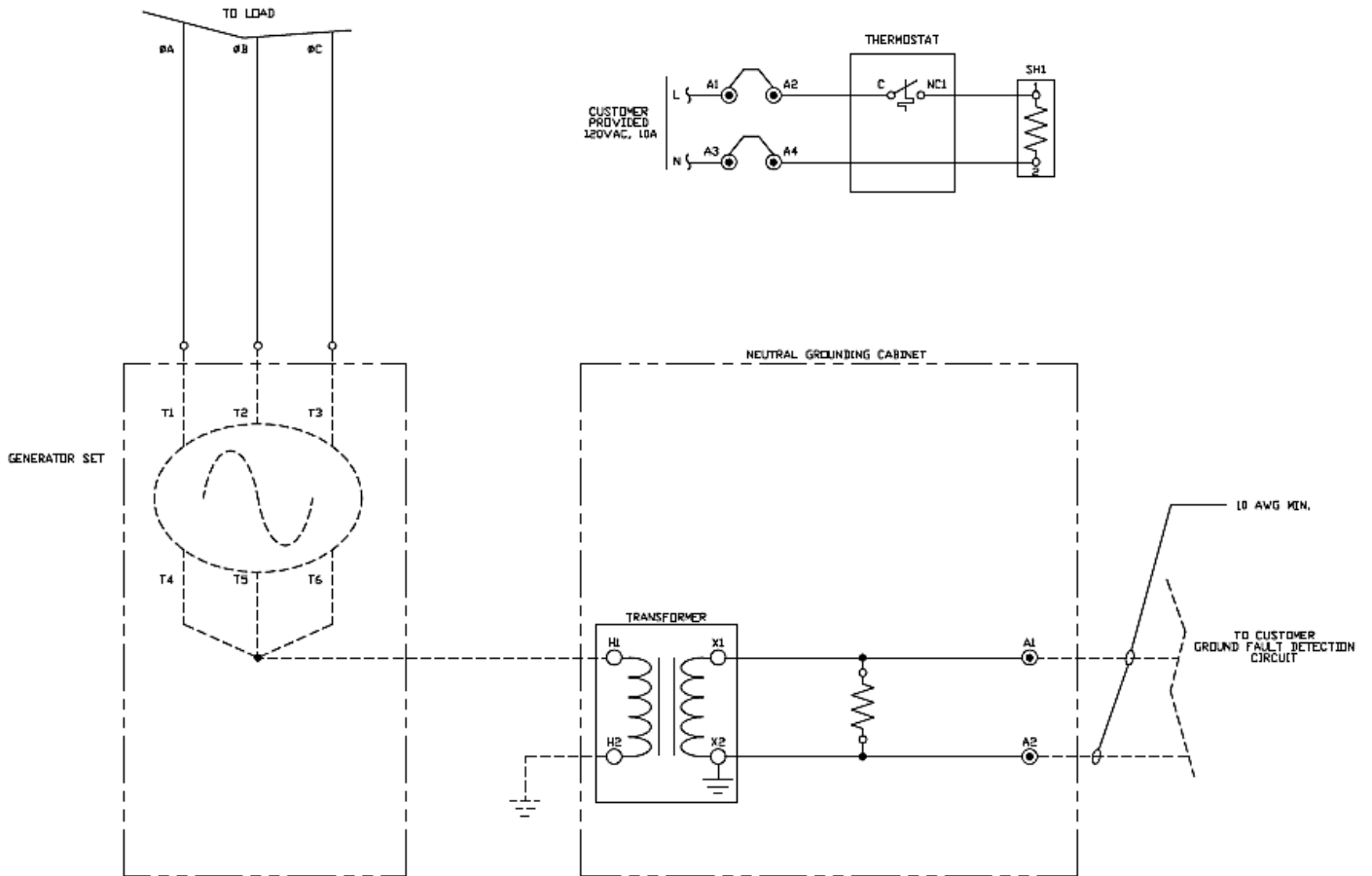
FRONT



SIDE

EXTERNAL

Schematic & Wiring





Advanced Power Technologies (APT) is on the cutting edge of the latest engineered power system smart technologies, as it relates to microgrid & storage management, renewable & conventional energy source deployment, demand peak shaving, and facility back-up and co-generation power systems. Located in the central United States and headquartered in Lafayette, Indiana with solutions development engineers around the country, APT provides domestic and international products and services to industry leading companies from around the world. APT engineers have decades of power system experience from working with some of the largest companies in industry. Over the last two decades, we have produced successful solutions for hundreds of large-scale electric power projects involving utility/generator paralleling, transfer, peak shaving, and distribution. We pride ourselves in providing electrical power systems that are engineered and custom built, utilizing state-of-the-art technologies to fit our customer's exact needs. The core of our business is low & medium voltage engineered power systems for a wide range of indoor & outdoor applications, such as:

- ⦿ Utility(ies) and Generator(s) Paralleling/Transfer/Peak Shaving/Distribution Switchgear
- ⦿ Microgrids, Microgrid Master Control Panels, SCADA systems
- ⦿ Containerized Battery Energy Storage Systems (BESS)
- ⦿ Photovoltaic (PV) Solar Power Collection/Distribution & Renewable Energy Storage Systems
- ⦿ Low & High Resistance Grounding Systems, Grounding Systems for Photovoltaic Effective Grounding
- ⦿ High Efficiency Combined Heat and Power Switchgear & Control Systems (CHP, Co-generation)
- ⦿ Outdoor Walk-In electrical houses (e-houses) & Skid-Mounted Switchgear
- ⦿ Motor Control Centers & Motor Control Switchgear
- ⦿ Automatic & Manual Load Transfer Switchgear
- ⦿ Bypass/Isolation & Power Distribution Circuit Breaker Switchboards
- ⦿ Generator/Loadbank Quick Connection Switchgear, Switchboards, & Tap boxes
- ⦿ Industrial Control Panels

Please see our product webpages on www.appt-power.com for product brochures and relevant information. Actual products may look different from images shown on the website and in brochures, based on actual specifications.

APT cares and understands that each power system is different. We will evaluate various solutions in order to develop the best solution for a site. APT focuses on our ability to a combine several traditional pieces of equipment/functionality into as little of a footprint possible. This saves on space, the cost of equipment, cost of installation, and accomplishes the most optimal/state-of-the-art design your facilities. APT's desires to foster and grow a culture of continued open communication with each customer. Let APT be your source to provide fully engineered power system equipment solutions for the full customer facility on time, on or under budget, and in the smallest footprint possible. We are always available to assist customers and engineers representing customers in the development of complex power solutions for all facility types.