



ADVANCED POWER
TECHNOLOGIES

2.4kV-38kV SE GQC Manual Transfer Switchgear



MFS-MT Load Transfer Switchgear Solutions Brochure

www.appt-power.com
433 N. 36th Street
Lafayette, IN 47905
(765) 446-2343

**SAFE SMART SERVICEABLE SWITCHGEAR &
ENGINEERED POWER SYSTEM SOLUTIONS**



ALN: 515-MT Rev. 01

Standard Construction



Figure 1: Carbon Steel NEMA 1 Enclosure



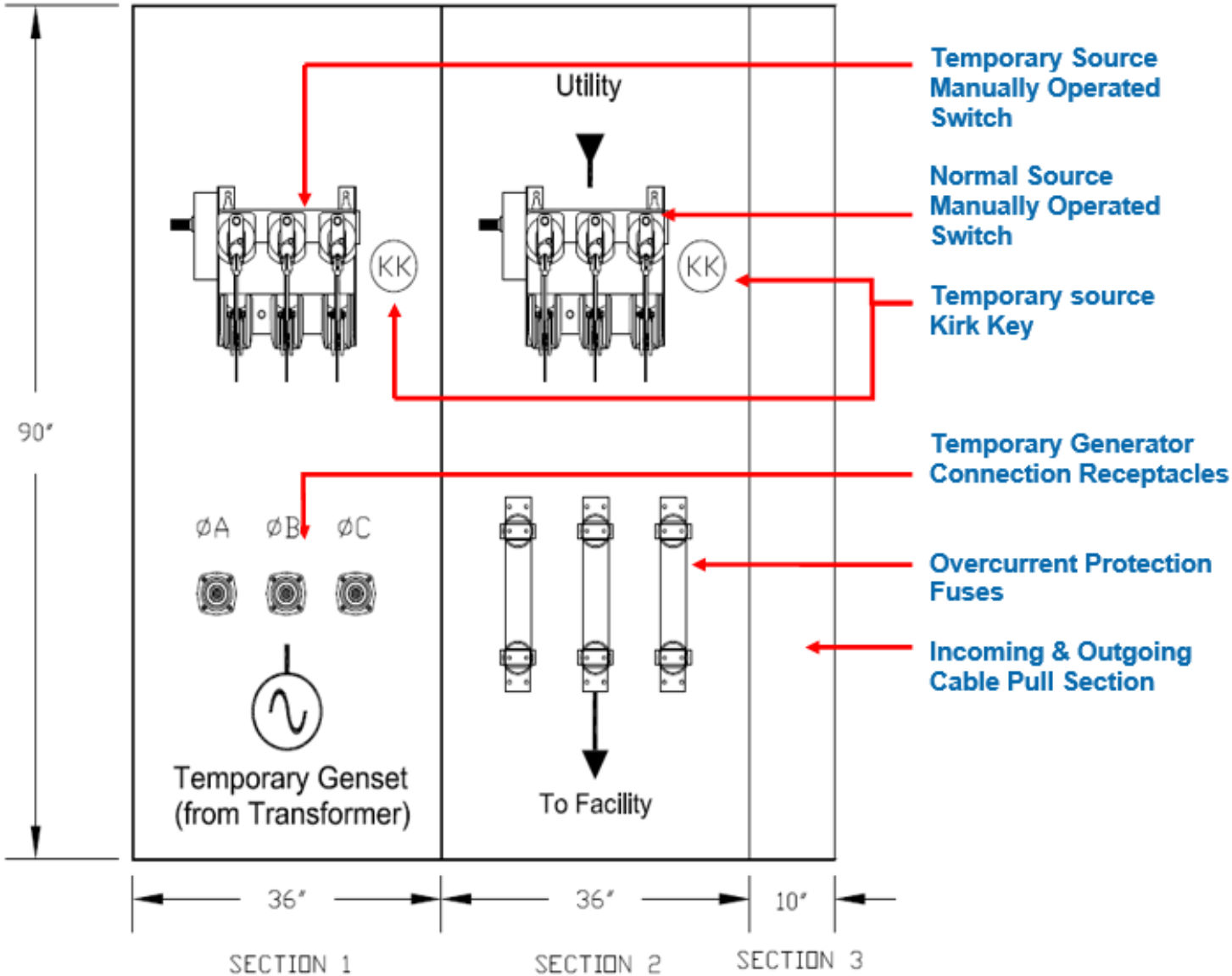
Figure 2: Generator Quick Connection Switchgear MF2-T Series Dual Loadbreak Switch with Overcurrent Protection

200 – 1200A, 2400V-15kV Two Source Quick Connection Switchgear

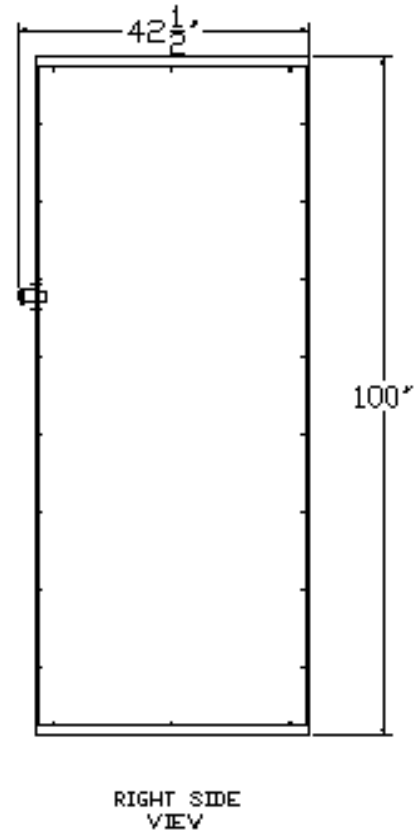
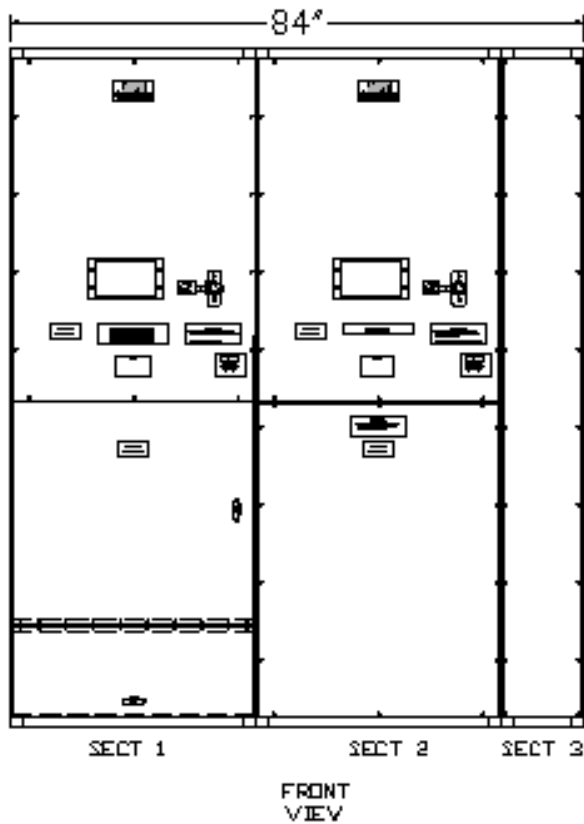
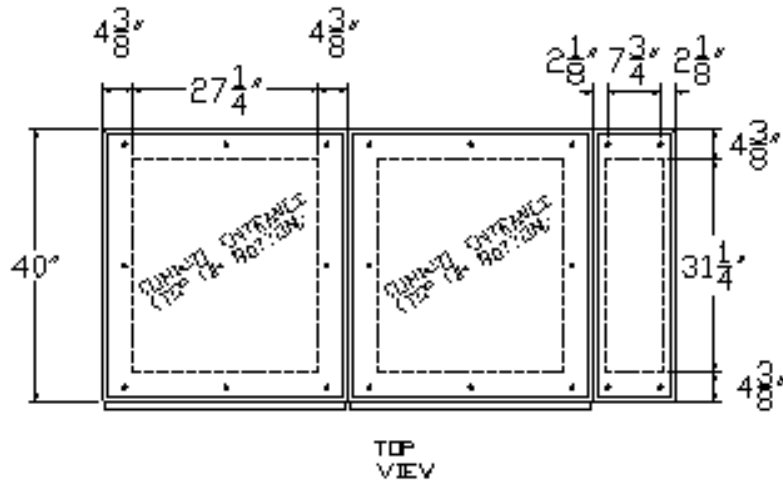
- ⊙ System Ratings:
 - Voltage: 2.4kV-15kV (3Ø)
 - Current: 200A-1200A (3Ø)
- ⊙ Temporary Generator Connection Receptacles:
 - 200A Air Insulated loadbreak bushing wells, inserts, and caps.
 - 600A Air Insulated deadbreak bushing wells, and caps.
 - ANSI/IEEE Std 386 connectors compatible
- ⊙ Silver plated copper bus
- ⊙ Power Source Manual Transfer Switching Device:
 - Two Switches (one normal source switch and one temporary generator source switch) with each Source Connected Indicating Lights
 - Removable thru door operating handle
- ⊙ Each load breaking switch section is provided with a Lexan viewing window for observing visual air disconnect switch position. Viewing window gives an operator full view of the position of all three switch blades.
- ⊙ Manual Transfer Switch Interlocking
 - Kirk Key Interlocking prevents inadvertent paralleling of two sources
- ⊙ Available as front access only
- ⊙ Overcurrent Protection (optional)
 - Fuse Rating: 50 - 1200A
- ⊙ Enclosure
 - Carbon steel
 - Powder coated ANSI 61 Gray
 - NEMA 1 for outdoor Installation
 - NEMA 3R for outdoor installation
 - Anti-condensation Heater* for Internal Climate Control
 - All hardware is stainless steel
 - Door handles are padlockable
 - Door will include an integral lower flip door
 - Allows the main door to be closed with the mobile generator cables connected
 - Typical Dimensions
 - 100”H x 84”W x 40”D

*Requires 120V site power.

Switchgear Layout Drawing



Dimensional Drawings



About Advanced Power Technologies



Advanced Power Technologies (APT) is on the cutting edge of the latest engineered power system smart technologies, as it relates to microgrid & storage management, renewable & conventional energy source deployment, demand peak shaving, and facility back-up and co-generation power systems. Located in the central United States and headquartered in Lafayette, Indiana with solutions development engineers around the country, APT provides domestic and international products and services to industry leading companies from around the world. APT engineers have decades of power system experience from working with some of the largest companies in industry. Over the last two decades, we have produced successful solutions for hundreds of large-scale electric power projects involving utility/generator paralleling, transfer, peak shaving, and distribution. We pride ourselves in providing electrical power systems that are engineered and custom built, utilizing state-of-the-art technologies to fit our customer's exact needs. The core of our business is low & medium voltage engineered power systems for a wide range of indoor & outdoor applications, such as:

- ⦿ Utility(ies) and Generator(s) Paralleling/Transfer/Peak Shaving/Distribution Switchgear
- ⦿ Microgrids, Microgrid Master Control Panels, SCADA systems
- ⦿ Containerized Battery Energy Storage Systems (BESS)
- ⦿ Photovoltaic (PV) Solar Power Collection/Distribution & Renewable Energy Storage Systems
- ⦿ Low & High Resistance Grounding Systems, Grounding Systems for Photovoltaic Effective Grounding
- ⦿ High Efficiency Combined Heat and Power Switchgear & Control Systems (CHP, Co-generation)
- ⦿ Outdoor Walk-In Electrical Houses (E-Houses) & Skid-Mounted Switchgear
- ⦿ Motor Control Centers & Motor Control Switchgear
- ⦿ Automatic & Manual Load Transfer Switchgear
- ⦿ Bypass/Isolation & Power Distribution Circuit Breaker Switchboards
- ⦿ Generator/Loadbank Quick Connection Switchgear, Switchboards, & Tap Boxes
- ⦿ Industrial Control Panels

Please see our product webpages on www.appt-power.com for product brochures and relevant information. Actual products may look different from images shown on the website and in brochures, based on actual specifications.

APT cares and understands that each power system is different. We will evaluate various solutions in order to develop the best solution for a site. APT focuses on our ability to a combine several traditional pieces of equipment/functionality into as little of a footprint possible. This saves on space, the cost of equipment, cost of installation, and accomplishes the most optimal/state-of-the-art design your facilities. APT's desires to foster and grow a culture of continued open communication with each customer. Let APT be your source to provide fully engineered power system equipment solutions for the full customer facility on time, on or under budget, and in the smallest footprint possible. We are always available to assist customers and engineers representing customers in the development of complex power solutions for all facility types.